



**SOUND MEDIA FUSION, LLC.
16524 ARMINTA STREET
VAN NUYS, CA 91406**

GARY HARDESTY

AUDIOMICRO42@GMAIL.COM

818-482-0193

SOUND MONITORING REPORT

THE 12 GYM AND PALMS MOBILE HOME PARK

**CITY OF COSTA MESA
FIDEL GAMBOA
COMMUNITY IMPROVEMENT MANAGER**

December 20, 2023 V3

Sound Media Fusion, LLC. (SMF) has been retained to monitor noise related to the 12 Gym at 140 E 17th St, Costa Mesa, CA 92627.

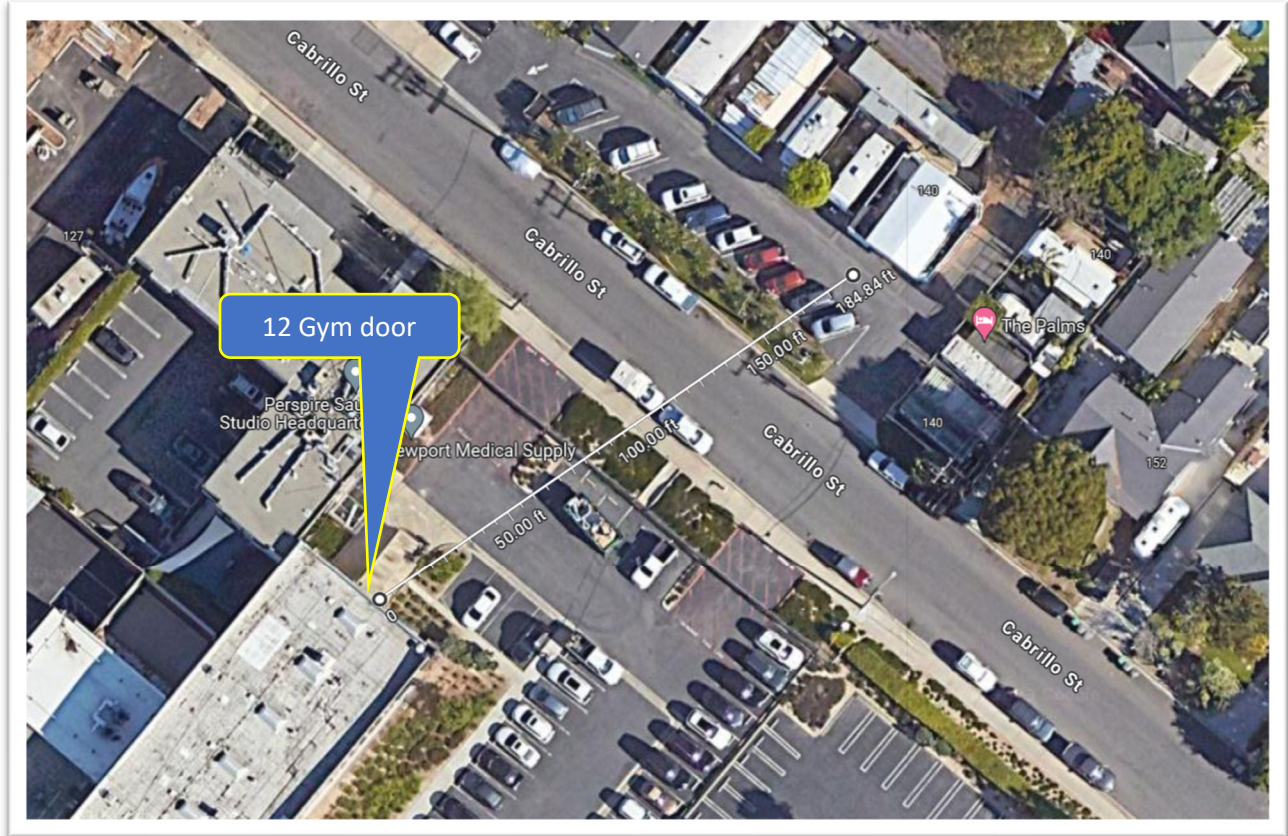
In the past, noise complaints have been received from the nearby Palms Mobile Home Park, at 140 Cabrillo St, Costa Mesa, CA 92627.

The maps below show the location of the gym and mobile home park:



The area is mixed use residential and commercial.

The 12 Gym is located close to the mobile home park:



In order to simplify our findings, we have placed sound/acoustic boilerplate in Appendix B of this report.

We monitored noise for a period of seven days during gym operating hours and monitored with a person on site at all times (including making noise meter recordings at various times), based on the following schedule, which is based on the gym operating hours:

- a. Monday- Friday: 5 AM- 8 PM.
- b. Saturday-Sunday: 7 AM- 3 PM.
- c. The monitoring dates were December 3-9, 2023- 7 days.

Estimated recording times, Monday- Friday, each recording is 30 minutes (resulting in a total of 8- 30-minute reading tables per day):

- 5 AM- 5:30 AM
- 7 AM-7:30 AM
- 9 AM- 9:30 AM
- 11 AM- 11:30 AM

- 1 PM- 1:30 PM
- 3 PM- 3:30 PM
- 5 PM- 5:30 PM
- 7 PM- 7:30 PM

Estimated recording times, Saturday-Sunday, each recording is 30 minutes (resulting in a total of 4- 30-minute reading tables per day):

- 7 AM- 7:30 AM
- 9 AM- 9:30 AM
- 11 AM- 11:30 AM
- 1 PM- 1:30 PM

Appendix A contains all the noise monitoring data from our measurement system

The applicable Costa Mesa noise standards:

Table N-2: Residential Exterior and Interior Standards	
Exterior Noise Standards	Interior Noise Standards
55 dBA: 7:00 A.M. to 11:00 P.M.	
50 dBA: 11:00 P.M. to 7:00 A.M.	
55 dBA: 7:00 A.M. to 11:00 P.M.	
45 dBA: 11:00 P.M. to 7:00 A.M.	
Note: These represent the basic standards applicable for time periods exceeding 15 minutes each hour. Higher levels may be generated for specified shorter time periods.	

1. The applicable Sound Level Standard for a cumulative period of more than thirty (30) minutes in any hour; or
2. The applicable Sound Level Standard plus five (5) dB(A) for a cumulative period of more than fifteen (15) minutes in any hour, as measured in the housing areas; or
3. The applicable Sound Level Standard plus ten (10) dB(A) for a cumulative period of more than five (5) minutes in any hour, as measured in the housing areas ; or
4. The applicable Sound Level Standard plus fifteen (15) dB(A) for a cumulative period of more than one (1) minutes in any hour, as measured in the housing areas ; or
5. The applicable Sound Level Standard plus twenty (20) dB(A) for any period of time.

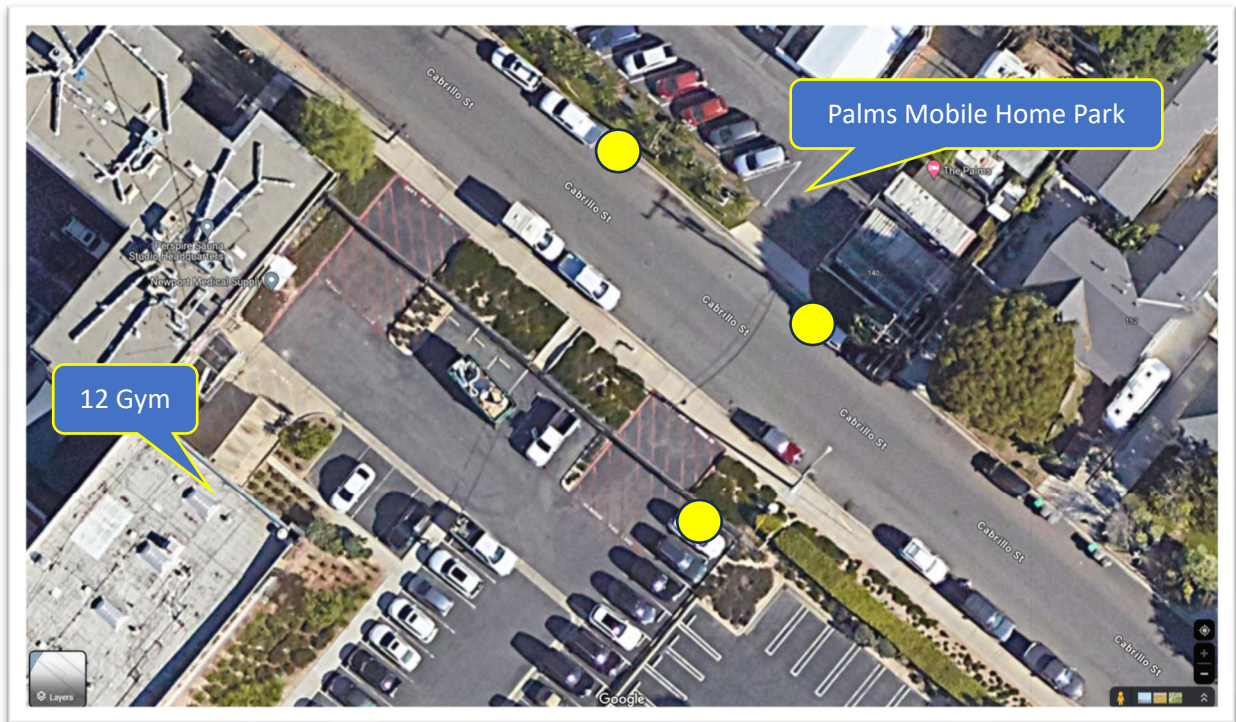
Note that noise must be no more 50 dBA before 7 AM and 55 dBA at other times, with allowance based on time durations and ambient overall noise levels.

Noise measuring devices are not smart, IE: all noise is recorded, whether it be gym noise, traffic noise, airplane noise or other such environmental noise. The noise measurements are inclusive of all local noise within a given noise monitoring area.

As noted earlier, we had a person on site during the monitoring days, to manage the noise measurement system, as well as note any potentially disturbing noise, such as music.

We took noise measurements based on the earlier schedule in this report, and herein are providing all the data, measured in the 1 minute, 5 minute, 15 minute and 30 minute measurement periods specified in the noise ordinance, based on the table provided earlier.

Using a single calibrated noise measurement system, monitored primarily at the locations shown below, near the mobile home park, and varied such locations from time to time- helping to average the human observance as well as measurement data, and found, due to close proximity of gym and mobile home park, such variable locations made little difference in any related gym noise and local ambient noise:



We used a calibrated professional NTI XL2 noise meter for our measurements. This device makes multiple data records, as well as audio recording for each measurement period. We analyzed all audio recording, as well as all recorded measurement data, including making notes based on the engineer we had on site:

XL2 Audio and Acoustic Analyzer



Summary notes appear below (to indicate noise above 'normal'), with detail audio readings in Appendix A:

Dec 3rd, 2023 notes:

7:15am - trash pickup

10:52am - **noticed music coming from the direction of the gym, but it could have been a car audio system.** No louder than the building HVAC units that are running around the parking lot

11-11:15 - guy sitting in his truck with the windows down, halfway between the gym and the trailer park, playing his music fairly loud.

Overall it's a pretty quiet area. Most prominent ambient noise is coming from motorcycles, HVAC units for businesses in the parking lot. Most noise coming from the direction of 17th street, since that's the main thoroughfare. Really no noise to speak of from the gym today.

In compliance on this day.

Dec 4th, 2023 notes:

5:15am ~20 cars in parking lot

5:50 - car alarm going off for 3 minutes

Lot got busier @ 6am

Trash pickup @ 6:40

10:30 - nothing else of note so far. Lot is pretty quiet, no noise from the gym.

11:10-11:25 - Gym owner (Josh) came over with questions. We were talking near the meter for 10-20 minutes, so it's possible this will affect the 11am reading. All readings after this point were done on Cabrillo, parallel with the parking space I'd been in before.

11:50 - lawnmower running at second house down from the trailer park for ~20 min

1:15 - car alarm going off in parking lot for ~30 sec

3 - parking lot has been pretty full most of the day, but not much noise other than cars coming and going.

5pm - 17th street is the loudest source of noise in the area. The rest of the day has been pretty quiet in the parking lot.

7:45 - same note as 5pm. No noticeable noise from the gym.

In compliance on this day.

Dec 5th, 2023 notes:

6:00am - Parking lot is pretty full, no noise from the gym

7:15 - lawnmower running across the parking lot for ~20 mins

9:50 - back door to the gym propped open - this door faces Cabrillo street. Music audible from inside. Bass is tame and vocals are audible occasionally. LEQ1' measured over about 90 seconds hovers around 62dB, including multiple cars that have driven by. Lasted about 15 minutes.

1pm - noise throughout the day has been mostly from cars, lawnmowers, etc. Only noise from the gym I've heard so far this week was earlier today.

4pm - gym parking lot is starting to calm down now, and traffic is picking up.

6pm - residential street is pretty quiet, I can hear parts of conversations from the parking lot, but still nothing from the gym.

7:10pm - car alarm went off briefly

In compliance on this day, with some audible gym noise as noted above.

Dec 6th, 2023 notes:

9:15 Air compressor/generator running down the street for about half an hour

1:20 - loud diesel truck parked across the street. Runs for a minute, then turns off. Engine back on at 1:25 and runs for a few minutes, revving occasionally. Pulls away at 1:32

1:27 - street sweeping truck goes by

1:36 - street sweeping truck goes by again

4:15 - Diesel engine running in parking lot for ~20 mins

5:30 - little bit of sub bass coming from the gym, barely audible when the street is quiet.

7:05 - some sub bass coming from the gym. Still pretty quiet, but audible at times when the street is really quiet. Not louder than distant motorcycle engines.

In compliance on this day.

Dec 7th, 2023 notes:

5:30 - quiet morning. Parking lot filling up, but no noticeable noise from the gym

7:50 - diesel truck idling in parking lot for ~5 minutes

11:10 - parking lot is about half full. Firetruck drives by on 17th street

11:17 - Gary called and we talked for 5 minutes. Might show up on the readings since the meter was running.

2:00 - parking lot fairly busy, no noise audible from the gym above the ambient level

5:05- some kind of saw or power drill running intermittently at a house two down from the trailer park.

Continued through 5:30

In compliance on this day.

Dec 8th, 2023 notes:

7:50 – gym door facing trailer park propped open. Can hear workout instructor’s voice, thought bot able to distinguish what’s being said. Low-midrange frequencies occasionally audible above ambient noise. Not audible when a plane flew overhead.

8:22 - door still open, music from class is louder now. Started recording.

8:31 - neighbor walked by while I was metering and said “I don’t think it’s that loud, to be honest... I know our neighbor’s complaining, but...” I thanked her and she walked away.

8:40 - workout class seems to have ended; no audible music or vocals now. Meter was running from 8:20-8:50, so should have captured ~20 mins of the noise from the class.

9:10 - exercise class is on again, vocals and music fairly audible

11:29 - car alarm going off for several minutes in parking lot.

3pm - after this morning’s classes, the parking lot has been pretty quiet. Was hoping they’d do another class so I could put the meter out and catch most of it to see how loud it actually is, but the reading from 8:20 will have to suffice. Not much noise except the street noise and people coming and going from the gym.

Occasional conversations in the parking lot, but that’s about it.

5:30 - still quiet in the parking lot, not a whole lot going on.

6:14 - Group of loud motorcycles driving around the area, audible for about 2 minutes

7:50 - rest of the evening has been dead quiet

Audible gym noise as noted above, but generally in compliance based on local ambient noise.

Dec 9th, 2023 notes:

9am - no noise to speak of from the gym. Parking lot is a little less full this morning.

11am - still no noise from the gym. Normal ambient noise - motorcycles on 17th street mostly. Quieter today than during the week.

2pm - still very quiet. Car alarm here or there, but not much else. Back door at the gym hasn’t been opened all day.

3pm - really no noise from the gym at all today.

In compliance on this day.

Conclusion:

As noted in some of the daily reports, above, there was gym related music noise on a few days, which was audible and potentially disturbing to someone, although, based on the overall ambient noise, not significantly above ambient levels and the noise readings indicated average compliance--- compliance based on a meter reading VS. a human identifying something, such as music, that is potentially disturbing, are the reasons we monitor with an attendant engineer on site in addition to meter readings, as meter readings in and of themselves don’t tell the whole story.

Overall noise in this area is typical for a mixed-use commercial/residential area.

BLANK PAGE

APPENDIX A

METER READING DATA FROM EACH DAY AND EACH MONITORED TIME PERIOD

Device Info: XL2, SNo. A2A-10088-E0, FW4.88
 Mic Type: NTi Audio M4260, SNo. 5541, Factory adjusted
 30.9
 Mic Sensitivity: mV/Pa
 Time Zone: UTC-08:00 (US/Pacific)

Measurement Setup

Profile: Full mode
 Timer mode: single
 Timer set: 0:30:00
 Log-Interval: 0:01:00
 k1: 0.0 dB
 k2: 0.0 dB
 kset Date: k-Values not measured
 Range: 20 - 120 dB

Time

Start: 2023-12-03, 07:02:44
 End: 2023-12-03, 07:32:44

Broadband LOG Results

Date [YYYY-MM-DD]	Time [hh:mm:ss]	Timer [hh:mm:ss]	LAeq1' [dB]	LAeq5' [dB]	LAeq15' [dB]	LAeq30' [dB]
12/3/2023	7:03:44	0:29:00	58.6	58.6	58.6	58.6
12/3/2023	7:04:44	0:28:00	47.7	56	56	56
12/3/2023	7:05:44	0:27:00	47.6	54.5	54.5	54.5
12/3/2023	7:06:44	0:26:00	48.3	53.6	53.6	53.6
12/3/2023	7:07:44	0:25:00	45.3	52.8	52.8	52.8
12/3/2023	7:08:44	0:24:00	44.6	46.9	52.1	52.1
12/3/2023	7:09:44	0:23:00	46.3	46.6	51.6	51.6
12/3/2023	7:10:44	0:22:00	48	46.7	51.3	51.3
12/3/2023	7:11:44	0:21:00	50	47.3	51.2	51.2
12/3/2023	7:12:44	0:20:00	48.4	47.8	51	51
12/3/2023	7:13:44	0:19:00	55.7	51.1	51.7	51.7
12/3/2023	7:14:44	0:18:00	54.7	52.5	52	52
12/3/2023	7:15:44	0:17:00	53.4	53.2	52.2	52.2
12/3/2023	7:16:44	0:16:00	48.6	53.1	52	52
12/3/2023	7:17:44	0:15:00	46.3	53	51.8	51.8
12/3/2023	7:18:44	0:14:00	48.1	51.4	50.2	51.6
12/3/2023	7:19:44	0:13:00	50.2	50	50.4	51.5
12/3/2023	7:20:44	0:12:00	47.1	48.3	50.4	51.4
12/3/2023	7:21:44	0:11:00	46.6	47.9	50.3	51.2
12/3/2023	7:22:44	0:10:00	46.4	47.9	50.3	51.1
12/3/2023	7:23:44	0:09:00	47.8	47.9	50.4	51
12/3/2023	7:24:44	0:08:00	48.7	47.4	50.5	50.9
12/3/2023	7:25:44	0:07:00	49.3	47.9	50.5	50.8
12/3/2023	7:26:44	0:06:00	54.7	50.5	51	51.1
12/3/2023	7:27:44	0:05:00	48.3	50.7	51	51
12/3/2023	7:28:44	0:04:00	53.7	51.8	50.7	51.1
12/3/2023	7:29:44	0:03:00	47.8	51.7	50.1	51.1
12/3/2023	7:30:44	0:02:00	46.1	51.5	49.5	50.9
12/3/2023	7:31:44	0:01:00	47.6	49.7	49.5	50.9
12/3/2023	7:32:44	0:00:00	51.8	50.4	49.8	50.9

Broadband LOG Results over whole log period

12/3/2023	7:32:44	0:00:00	51.8	50.4	49.8	50.9
-----------	---------	---------	------	------	------	------

Device Info: XL2, SNo. A2A-10088-E0, FW4.88
 Mic Type: NTi Audio M4260, SNo. 5541, Factory adjusted
 30.9
 Mic Sensitivity: mV/Pa
 Time Zone: UTC-08:00 (US/Pacific)

Measurement Setup

Profile: Full mode
 Timer mode: single
 Timer set: 0:30:00
 Log-Interval: 0:01:00
 k1: 0.0 dB
 k2: 0.0 dB
 kset Date: k-Values not measured
 Range: 20 - 120 dB

 Time

Start: 2023-12-03, 09:05:30
 End: 2023-12-03, 09:35:30

Broadband LOG Results

Date [YYYY-MM-DD]	Time [hh:mm:ss]	Timer [hh:mm:ss]	LAeq1' [dB]	LAeq5' [dB]	LAeq15' [dB]	LAeq30' [dB]
12/3/2023	9:06:30	0:29:00	55.2	55.2	55.2	55.2
12/3/2023	9:07:30	0:28:00	46.8	52.8	52.8	52.8
12/3/2023	9:08:30	0:27:00	48.3	51.7	51.7	51.7
12/3/2023	9:09:30	0:26:00	45.7	50.8	50.8	50.8
12/3/2023	9:10:30	0:25:00	44	50.1	50.1	50.1
12/3/2023	9:11:30	0:24:00	42.8	45.9	49.5	49.5
12/3/2023	9:12:30	0:23:00	48.7	46.5	49.4	49.4
12/3/2023	9:13:30	0:22:00	50.8	47.4	49.6	49.6
12/3/2023	9:14:30	0:21:00	52.6	49.3	50	50
12/3/2023	9:15:30	0:20:00	48.5	49.7	49.9	49.9
12/3/2023	9:16:30	0:19:00	46.5	50	49.7	49.7
12/3/2023	9:17:30	0:18:00	46	49.6	49.5	49.5
12/3/2023	9:18:30	0:17:00	44.9	48.7	49.3	49.3
12/3/2023	9:19:30	0:16:00	48	47	49.2	49.2
12/3/2023	9:20:30	0:15:00	50.7	47.7	49.3	49.3
12/3/2023	9:21:30	0:14:00	51.6	49	48.6	49.5
12/3/2023	9:22:30	0:13:00	47.5	49.2	48.6	49.4
12/3/2023	9:23:30	0:12:00	47.5	49.4	48.6	49.3
12/3/2023	9:24:30	0:11:00	49.3	49.6	48.8	49.3
12/3/2023	9:25:30	0:10:00	51	49.7	49.1	49.4
12/3/2023	9:26:30	0:09:00	54.8	51	50.1	49.9
12/3/2023	9:27:30	0:08:00	47.9	51	50	49.8
12/3/2023	9:28:30	0:07:00	51.7	51.6	50.1	49.9
12/3/2023	9:29:30	0:06:00	47.3	51.4	49.7	49.8
12/3/2023	9:30:30	0:05:00	51.4	51.5	49.9	49.9
12/3/2023	9:31:30	0:04:00	52.2	50.6	50.3	50
12/3/2023	9:32:30	0:03:00	44.6	50.3	50.2	49.9
12/3/2023	9:33:30	0:02:00	44.1	49.2	50.2	49.8
12/3/2023	9:34:30	0:01:00	51.6	50	50.4	49.9
12/3/2023	9:35:30	0:00:00	46.9	49.2	50.2	49.8

Broadband LOG Results over whole log period

12/3/2023	9:35:30	0:00:00	46.9	49.2	50.2	49.8
-----------	---------	---------	------	------	------	------

Device Info: XL2, SNo. A2A-10088-E0, FW4.88
 Mic Type: NTi Audio M4260, SNo. 5541, Factory adjusted
 Mic
 Sensitivity: 30.9 mV/Pa
 Time Zone: UTC-08:00 (US/Pacific)

Measurement Setup

Profile: Full mode
 Timer mode: single
 Timer set: 0:30:00
 Log-Interval: 0:01:00
 k1: 0.0 dB
 k2: 0.0 dB
 kset Date: k-Values not measured
 Range: 20 - 120 dB

Time

Start: 2023-12-03, 11:01:32
 End: 2023-12-03, 11:31:32

Broadband LOG Results

Date [YYYY-MM-DD]	Time [hh:mm:ss]	Timer [hh:mm:ss]	LAeq1' [dB]	LAeq5' [dB]	LAeq15' [dB]	LAeq30' [dB]
12/3/2023	11:02:32	0:29:00	52.4	52.4	52.4	52.4
12/3/2023	11:03:32	0:28:00	50.4	51.5	51.5	51.5
12/3/2023	11:04:32	0:27:00	63	58.8	58.8	58.8
12/3/2023	11:05:32	0:26:00	47.7	57.6	57.6	57.6
12/3/2023	11:06:32	0:25:00	46.9	56.8	56.8	56.8
12/3/2023	11:07:32	0:24:00	48.9	56.6	56.1	56.1
12/3/2023	11:08:32	0:23:00	47.2	56.5	55.5	55.5
12/3/2023	11:09:32	0:22:00	64.6	57.9	58.3	58.3
12/3/2023	11:10:32	0:21:00	48.4	57.9	57.8	57.8
12/3/2023	11:11:32	0:20:00	49.1	58	57.4	57.4
12/3/2023	11:12:32	0:19:00	51.9	58.1	57.1	57.1
12/3/2023	11:13:32	0:18:00	56.7	58.6	57.1	57.1
12/3/2023	11:14:32	0:17:00	54.9	53.3	57	57
12/3/2023	11:15:32	0:16:00	53	53.8	56.8	56.8
12/3/2023	11:16:32	0:15:00	48.4	53.8	56.5	56.5
12/3/2023	11:17:32	0:14:00	47.8	53.4	56.4	56.3
12/3/2023	11:18:32	0:13:00	50.3	51.8	56.4	56.1
12/3/2023	11:19:32	0:12:00	50.8	50.5	55	55.9
12/3/2023	11:20:32	0:11:00	51.4	50	55.1	55.7
12/3/2023	11:21:32	0:10:00	50.1	50.3	55.1	55.6
12/3/2023	11:22:32	0:09:00	48.8	50.4	55.1	55.4
12/3/2023	11:23:32	0:08:00	50.9	50.5	55.2	55.3
12/3/2023	11:24:32	0:07:00	50	50.3	51.6	55.2
12/3/2023	11:25:32	0:06:00	53.2	50.9	51.9	55.1
12/3/2023	11:26:32	0:05:00	52.3	51.3	52.1	55
12/3/2023	11:27:32	0:04:00	50.5	51.6	52	54.9
12/3/2023	11:28:32	0:03:00	52.7	51.9	51.4	54.8
12/3/2023	11:29:32	0:02:00	54.4	52.8	51.4	54.8
12/3/2023	11:30:32	0:01:00	50.7	52.4	51.2	54.7
12/3/2023	11:31:32	0:00:00	46.4	51.7	51.1	54.6

Broadband LOG Results over whole log period

12/3/2023	11:31:32	0:00:00	46.4	51.7	51.1	54.6
-----------	----------	---------	------	------	------	------

Device Info: XL2, SNo. A2A-10088-E0, FW4.88
 Mic Type: NTi Audio M4260, SNo. 5541, Factory adjusted
 Mic
 Sensitivity: 30.9 mV/Pa
 Time Zone: UTC-08:00 (US/Pacific)

Measurement Setup

Profile: Full mode
 Timer mode: single
 Timer set: 0:30:00
 Log-Interval: 0:01:00
 k1: 0.0 dB
 k2: 0.0 dB
 kset Date: k-Values not measured
 Range: 20 - 120 dB

Time

Start: 2023-12-03, 12:58:26
 End: 2023-12-03, 13:28:26

Broadband LOG Results

Date [YYYY-MM-DD]	Time [hh:mm:ss]	Timer [hh:mm:ss]	LAeq1' [dB]	LAeq5' [dB]	LAeq15' [dB]	LAeq30' [dB]
12/3/2023	12:59:26	0:29:00	54.9	54.9	54.9	54.9
12/3/2023	13:00:26	0:28:00	52.8	53.9	53.9	53.9
12/3/2023	13:01:26	0:27:00	52.2	53.4	53.4	53.4
12/3/2023	13:02:26	0:26:00	50.2	52.8	52.8	52.8
12/3/2023	13:03:26	0:25:00	51.1	52.5	52.5	52.5
12/3/2023	13:04:26	0:24:00	52.5	51.8	52.5	52.5
12/3/2023	13:05:26	0:23:00	49.1	51.2	52.2	52.2
12/3/2023	13:06:26	0:22:00	47.9	50.4	51.8	51.8
12/3/2023	13:07:26	0:21:00	51.9	50.8	51.8	51.8
12/3/2023	13:08:26	0:20:00	52.4	51.1	51.9	51.9
12/3/2023	13:09:26	0:19:00	48.7	50.4	51.7	51.7
12/3/2023	13:10:26	0:18:00	47.7	50.2	51.4	51.4
12/3/2023	13:11:26	0:17:00	50.5	50.6	51.4	51.4
12/3/2023	13:12:26	0:16:00	57.8	53.1	52.3	52.3
12/3/2023	13:13:26	0:15:00	53.3	53.3	52.4	52.4
12/3/2023	13:14:26	0:14:00	48	53.3	52	52.2
12/3/2023	13:15:26	0:13:00	51.1	53.5	51.9	52.2
12/3/2023	13:16:26	0:12:00	60.9	56.5	53.5	53.5
12/3/2023	13:17:26	0:11:00	48.9	55.3	53.5	53.3
12/3/2023	13:18:26	0:10:00	49.2	55	53.4	53.2
12/3/2023	13:19:26	0:09:00	46.1	54.9	53.2	53
12/3/2023	13:20:26	0:08:00	52.4	55	53.4	53
12/3/2023	13:21:26	0:07:00	48.5	49.5	53.4	52.9
12/3/2023	13:22:26	0:06:00	48.8	49.5	53.3	52.8
12/3/2023	13:23:26	0:05:00	51.9	50.1	53.2	52.7
12/3/2023	13:24:26	0:04:00	48.2	50.3	53.2	52.6
12/3/2023	13:25:26	0:03:00	49.9	49.7	53.3	52.6
12/3/2023	13:26:26	0:02:00	46.2	49.4	53.2	52.4
12/3/2023	13:27:26	0:01:00	54.1	50.9	52.7	52.5
12/3/2023	13:28:26	0:00:00	51.9	50.9	52.6	52.5

Broadband LOG Results over whole log period

12/3/2023	13:28:26	0:00:00	51.9	50.9	52.6	52.5
-----------	----------	---------	------	------	------	------

Device Info: XL2, SNo. A2A-10088-E0, FW4.88
 Mic Type: NTi Audio M4260, SNo. 5541, Factory adjusted
 Mic
 Sensitivity: 30.9 mV/Pa
 Time Zone: UTC-08:00 (US/Pacific)

Measurement Setup

Profile: Full mode
 Timer mode: single
 Timer set: 0:30:00
 Log-Interval: 0:01:00
 k1: 0.0 dB
 k2: 0.0 dB
 kset Date: k-Values not measured
 Range: 20 - 120 dB

Time

Start: 2023-12-04, 04:57:34
 End: 2023-12-04, 05:27:34

Broadband LOG Results

Date [YYYY-MM-DD]	Time [hh:mm:ss]	Timer [hh:mm:ss]	LAeq1' [dB]	LAeq5' [dB]	LAeq15' [dB]	LAeq30' [dB]
12/4/2023	4:58:34	0:29:00	51.9	51.9	51.9	51.9
12/4/2023	4:59:34	0:28:00	43.3	49.5	49.5	49.5
12/4/2023	5:00:34	0:27:00	47.9	49	49	49
12/4/2023	5:01:34	0:26:00	48.9	49	49	49
12/4/2023	5:02:34	0:25:00	45.3	48.5	48.5	48.5
12/4/2023	5:03:34	0:24:00	47	46.9	48.2	48.2
12/4/2023	5:04:34	0:23:00	45.7	47.2	48	48
12/4/2023	5:05:34	0:22:00	44.5	46.6	47.7	47.7
12/4/2023	5:06:34	0:21:00	46.3	45.8	47.5	47.5
12/4/2023	5:07:34	0:20:00	46.6	46.1	47.4	47.4
12/4/2023	5:08:34	0:19:00	45.7	45.8	47.3	47.3
12/4/2023	5:09:34	0:18:00	45	45.7	47.2	47.2
12/4/2023	5:10:34	0:17:00	53.9	49.1	48.2	48.2
12/4/2023	5:11:34	0:16:00	44.8	48.9	48.1	48.1
12/4/2023	5:12:34	0:15:00	45.1	48.8	47.9	47.9
12/4/2023	5:13:34	0:14:00	46.3	48.8	47.4	47.8
12/4/2023	5:14:34	0:13:00	46.9	49	47.5	47.8
12/4/2023	5:15:34	0:12:00	46	45.9	47.4	47.7
12/4/2023	5:16:34	0:11:00	46.9	46.3	47.2	47.7
12/4/2023	5:17:34	0:10:00	46.2	46.5	47.3	47.6
12/4/2023	5:18:34	0:09:00	45.9	46.4	47.2	47.5
12/4/2023	5:19:34	0:08:00	46.1	46.3	47.2	47.5
12/4/2023	5:20:34	0:07:00	47.3	46.5	47.4	47.5
12/4/2023	5:21:34	0:06:00	46.3	46.4	47.4	47.4
12/4/2023	5:22:34	0:05:00	45.6	46.3	47.3	47.4
12/4/2023	5:23:34	0:04:00	48.4	46.9	47.5	47.4
12/4/2023	5:24:34	0:03:00	48.6	47.4	47.7	47.5
12/4/2023	5:25:34	0:02:00	46.5	47.3	46.6	47.4
12/4/2023	5:26:34	0:01:00	46.1	47.2	46.7	47.4
12/4/2023	5:27:34	0:00:00	46.2	47.3	46.7	47.4

Broadband LOG Results over whole log period

12/4/2023	5:27:34	0:00:00	46.2	47.3	46.7	47.4
-----------	---------	---------	------	------	------	------

Device Info: XL2, SNo. A2A-10088-E0, FW4.88
 Mic Type: NTi Audio M4260, SNo. 5541, Factory adjusted
 Mic
 Sensitivity: 30.9 mV/Pa
 Time Zone: UTC-08:00 (US/Pacific)

Measurement Setup

Profile: Full mode
 Timer mode: single
 Timer set: 0:30:00
 Log-Interval: 0:01:00
 k1: 0.0 dB
 k2: 0.0 dB
 kset Date: k-Values not measured
 Range: 20 - 120 dB

Time

Start: 2023-12-04, 07:04:30
 End: 2023-12-04, 07:34:30

Broadband LOG Results

Date [YYYY-MM-DD]	Time [hh:mm:ss]	Timer [hh:mm:ss]	LAeq1' [dB]	LAeq5' [dB]	LAeq15' [dB]	LAeq30' [dB]
12/4/2023	7:05:30	0:29:00	52.3	52.3	52.3	52.3
12/4/2023	7:06:30	0:28:00	53.3	52.8	52.8	52.8
12/4/2023	7:07:30	0:27:00	54.7	53.5	53.5	53.5
12/4/2023	7:08:30	0:26:00	52.8	53.4	53.4	53.4
12/4/2023	7:09:30	0:25:00	54.9	53.7	53.7	53.7
12/4/2023	7:10:30	0:24:00	49.9	53.5	53.3	53.3
12/4/2023	7:11:30	0:23:00	50.9	53.1	53	53
12/4/2023	7:12:30	0:22:00	50.3	52.2	52.7	52.7
12/4/2023	7:13:30	0:21:00	50.3	51.7	52.5	52.5
12/4/2023	7:14:30	0:20:00	51.4	50.6	52.4	52.4
12/4/2023	7:15:30	0:19:00	49.6	50.5	52.2	52.2
12/4/2023	7:16:30	0:18:00	52.3	50.9	52.2	52.2
12/4/2023	7:17:30	0:17:00	53.3	51.6	52.3	52.3
12/4/2023	7:18:30	0:16:00	49.5	51.5	52.2	52.2
12/4/2023	7:19:30	0:15:00	49.7	51.2	52.1	52.1
12/4/2023	7:20:30	0:14:00	49	51.1	51.9	51.9
12/4/2023	7:21:30	0:13:00	51.1	50.9	51.7	51.9
12/4/2023	7:22:30	0:12:00	50.9	50.2	51.4	51.8
12/4/2023	7:23:30	0:11:00	48.5	50	51.1	51.7
12/4/2023	7:24:30	0:10:00	51.3	50.3	50.7	51.7
12/4/2023	7:25:30	0:09:00	52.7	51.1	50.9	51.7
12/4/2023	7:26:30	0:08:00	51.2	51.1	51	51.7
12/4/2023	7:27:30	0:07:00	50.9	51.1	51	51.7
12/4/2023	7:28:30	0:06:00	54.9	52.5	51.4	51.9
12/4/2023	7:29:30	0:05:00	55.7	53.5	51.9	52.1
12/4/2023	7:30:30	0:04:00	51.9	53.4	52	52.1
12/4/2023	7:31:30	0:03:00	51.7	53.4	52	52.1
12/4/2023	7:32:30	0:02:00	52.6	53.7	51.9	52.1
12/4/2023	7:33:30	0:01:00	52.3	53.1	52.1	52.1
12/4/2023	7:34:30	0:00:00	52.4	52.2	52.2	52.1

Broadband LOG Results over whole log period

12/4/2023	7:34:30	0:00:00	52.4	52.2	52.2	52.1
-----------	---------	---------	------	------	------	------

Device Info: XL2, SNo. A2A-10088-E0, FW4.88
 Mic Type: NTi Audio M4260, SNo. 5541, Factory adjusted
 Mic
 Sensitivity: 30.9 mV/Pa
 Time Zone: UTC-08:00 (US/Pacific)

Measurement Setup

Profile: Full mode
 Timer mode: single
 Timer set: 0:30:00
 Log-Interval: 0:01:00
 k1: 0.0 dB
 k2: 0.0 dB
 kset Date: k-Values not measured
 Range: 20 - 120 dB

Time

Start: 2023-12-04, 09:04:04
 End: 2023-12-04, 09:34:04

Broadband LOG Results

Date [YYYY-MM-DD]	Time [hh:mm:ss]	Timer [hh:mm:ss]	LAeq1' [dB]	LAeq5' [dB]	LAeq15' [dB]	LAeq30' [dB]
12/4/2023	9:05:04	0:29:00	48.8	48.8	48.8	48.8
12/4/2023	9:06:04	0:28:00	52.2	50.8	50.8	50.8
12/4/2023	9:07:04	0:27:00	50.8	50.8	50.8	50.8
12/4/2023	9:08:04	0:26:00	48.9	50.4	50.4	50.4
12/4/2023	9:09:04	0:25:00	47.7	50	50	50
12/4/2023	9:10:04	0:24:00	45.1	49.6	49.5	49.5
12/4/2023	9:11:04	0:23:00	49.1	48.7	49.4	49.4
12/4/2023	9:12:04	0:22:00	54.8	50.4	50.6	50.6
12/4/2023	9:13:04	0:21:00	44.9	50	50.2	50.2
12/4/2023	9:14:04	0:20:00	45	49.8	49.9	49.9
12/4/2023	9:15:04	0:19:00	46.9	49.9	49.7	49.7
12/4/2023	9:16:04	0:18:00	47.1	49.7	49.5	49.5
12/4/2023	9:17:04	0:17:00	50.6	47.4	49.6	49.6
12/4/2023	9:18:04	0:16:00	49.2	48.2	49.6	49.6
12/4/2023	9:19:04	0:15:00	49.1	48.8	49.6	49.6
12/4/2023	9:20:04	0:14:00	46.2	48.7	49.4	49.4
12/4/2023	9:21:04	0:13:00	50.3	49.3	49.2	49.5
12/4/2023	9:22:04	0:12:00	50.7	49.3	49.2	49.5
12/4/2023	9:23:04	0:11:00	51.5	49.9	49.4	49.7
12/4/2023	9:24:04	0:10:00	59.9	54.4	51.8	51.4
12/4/2023	9:25:04	0:09:00	48.8	54.6	51.8	51.3
12/4/2023	9:26:04	0:08:00	50.3	54.6	51.9	51.2
12/4/2023	9:27:04	0:07:00	51.6	54.6	51.6	51.3
12/4/2023	9:28:04	0:06:00	51.1	54.6	51.8	51.3
12/4/2023	9:29:04	0:05:00	49.8	50.4	51.9	51.2
12/4/2023	9:30:04	0:04:00	47	50.2	51.9	51.1
12/4/2023	9:31:04	0:03:00	51.6	50.5	52.1	51.1
12/4/2023	9:32:04	0:02:00	51.8	50.6	52.1	51.1
12/4/2023	9:33:04	0:01:00	50.8	50.5	52.2	51.1
12/4/2023	9:34:04	0:00:00	59.7	54.5	53.5	51.9

Broadband LOG Results over whole log period

12/4/2023	9:34:04	0:00:00	59.7	54.5	53.5	51.9
-----------	---------	---------	------	------	------	------

Device Info: XL2, SNo. A2A-10088-E0, FW4.88
 Mic Type: NTi Audio M4260, SNo. 5541, Factory adjusted
 Mic
 Sensitivity: 30.9 mV/Pa
 Time Zone: UTC-08:00 (US/Pacific)

Measurement Setup

Profile: Full mode
 Timer mode: single
 Timer set: 0:30:00
 Log-Interval: 0:01:00
 k1: 0.0 dB
 k2: 0.0 dB
 kset Date: k-Values not measured
 Range: 20 - 120 dB

Time

Start: 2023-12-04, 11:02:24
 End: 2023-12-04, 11:32:24

Broadband LOG Results

Date [YYYY-MM-DD]	Time [hh:mm:ss]	Timer [hh:mm:ss]	LAeq1' [dB]	LAeq5' [dB]	LAeq15' [dB]	LAeq30' [dB]
12/4/2023	11:03:24	0:29:00	53.8	53.8	53.8	53.8
12/4/2023	11:04:24	0:28:00	49.3	52.1	52.1	52.1
12/4/2023	11:05:24	0:27:00	49.6	51.4	51.4	51.4
12/4/2023	11:06:24	0:26:00	49.5	51	51	51
12/4/2023	11:07:24	0:25:00	50.7	50.9	50.9	50.9
12/4/2023	11:08:24	0:24:00	57.5	52.8	53	53
12/4/2023	11:09:24	0:23:00	51.8	53.1	52.8	52.8
12/4/2023	11:10:24	0:22:00	49.3	53	52.5	52.5
12/4/2023	11:11:24	0:21:00	51.7	53.3	52.4	52.4
12/4/2023	11:12:24	0:20:00	61.5	56.7	54.7	54.7
12/4/2023	11:13:24	0:19:00	51.3	55.9	54.5	54.5
12/4/2023	11:14:24	0:18:00	44.9	55.6	54.2	54.2
12/4/2023	11:15:24	0:17:00	47.1	55.5	53.9	53.9
12/4/2023	11:16:24	0:16:00	47.7	55.3	53.7	53.7
12/4/2023	11:17:24	0:15:00	55.3	50.9	53.8	53.8
12/4/2023	11:18:24	0:14:00	62.5	56.6	55.4	55.3
12/4/2023	11:19:24	0:13:00	59.7	58	56	55.7
12/4/2023	11:20:24	0:12:00	58.6	58.9	56.5	55.9
12/4/2023	11:21:24	0:11:00	59.5	59.7	56.9	56.2
12/4/2023	11:22:24	0:10:00	55.4	59.7	57.1	56.2
12/4/2023	11:23:24	0:09:00	52.9	57.9	56.9	56.1
12/4/2023	11:24:24	0:08:00	55.6	57	57	56
12/4/2023	11:25:24	0:07:00	57	56.6	57.2	56.1
12/4/2023	11:26:24	0:06:00	51.3	54.9	57.2	56
12/4/2023	11:27:24	0:05:00	60	56.4	57	56.2
12/4/2023	11:28:24	0:04:00	58.2	57.3	57.3	56.3
12/4/2023	11:29:24	0:03:00	53.4	57	57.4	56.2
12/4/2023	11:30:24	0:02:00	47.7	56.2	57.4	56.1
12/4/2023	11:31:24	0:01:00	46.6	56	57.4	56
12/4/2023	11:32:24	0:00:00	53.4	53.8	57.3	55.9

Broadband LOG Results over whole log period

12/4/2023	11:32:24	0:00:00	53.4	53.8	57.3	55.9
-----------	----------	---------	------	------	------	------

Device Info: XL2, SNo. A2A-10088-E0, FW4.88
 Mic Type: NTi Audio M4260, SNo. 5541, Factory adjusted
 Mic
 Sensitivity: 30.9 mV/Pa
 Time Zone: UTC-08:00 (US/Pacific)

Measurement Setup

Profile: Full mode
 Timer mode: single
 Timer set: 0:30:00
 Log-Interval: 0:01:00
 k1: 0.0 dB
 k2: 0.0 dB
 kset Date: k-Values not measured
 Range: 20 - 120 dB

Time

Start: 2023-12-04, 13:03:24
 End: 2023-12-04, 13:33:24

Broadband LOG Results

Date [YYYY-MM-DD]	Time [hh:mm:ss]	Timer [hh:mm:ss]	LAeq1' [dB]	LAeq5' [dB]	LAeq15' [dB]	LAeq30' [dB]
12/4/2023	13:04:24	0:29:00	55.6	55.6	55.6	55.6
12/4/2023	13:05:24	0:28:00	53.1	54.5	54.5	54.5
12/4/2023	13:06:24	0:27:00	55.8	55	55	55
12/4/2023	13:07:24	0:26:00	54.5	54.9	54.9	54.9
12/4/2023	13:08:24	0:25:00	54.4	54.8	54.8	54.8
12/4/2023	13:09:24	0:24:00	53.7	54.4	54.6	54.6
12/4/2023	13:10:24	0:23:00	57.3	55.4	55.1	55.1
12/4/2023	13:11:24	0:22:00	56.7	55.6	55.4	55.4
12/4/2023	13:12:24	0:21:00	49.4	55.1	55	55
12/4/2023	13:13:24	0:20:00	57.3	55.7	55.3	55.3
12/4/2023	13:14:24	0:19:00	58.3	56.7	55.7	55.7
12/4/2023	13:15:24	0:18:00	55.3	56.3	55.6	55.6
12/4/2023	13:16:24	0:17:00	52	55.6	55.4	55.4
12/4/2023	13:17:24	0:16:00	54.1	56	55.4	55.4
12/4/2023	13:18:24	0:15:00	53.4	55.2	55.2	55.2
12/4/2023	13:19:24	0:14:00	55.1	54.1	55.2	55.2
12/4/2023	13:20:24	0:13:00	49.3	53.2	55.1	55
12/4/2023	13:21:24	0:12:00	54.1	53.6	55	55
12/4/2023	13:22:24	0:11:00	58.1	54.8	55.3	55.2
12/4/2023	13:23:24	0:10:00	55.4	55.2	55.4	55.2
12/4/2023	13:24:24	0:09:00	49.2	54.5	55.3	55.1
12/4/2023	13:25:24	0:08:00	55.7	55.3	55.1	55.1
12/4/2023	13:26:24	0:07:00	47.1	54.8	54.7	54.9
12/4/2023	13:27:24	0:06:00	55.1	53.7	54.9	55
12/4/2023	13:28:24	0:05:00	49.3	52.6	54.5	54.8
12/4/2023	13:29:24	0:04:00	51.4	52.9	53.9	54.7
12/4/2023	13:30:24	0:03:00	59.4	54.7	54.5	55
12/4/2023	13:31:24	0:02:00	50	54.9	54.4	54.9
12/4/2023	13:32:24	0:01:00	50.8	54.2	54.3	54.8
12/4/2023	13:33:24	0:00:00	55.7	55.1	54.5	54.9

Broadband LOG Results over whole log period

12/4/2023	13:33:24	0:00:00	55.7	55.1	54.5	54.9
-----------	----------	---------	------	------	------	------

Device Info: XL2, SNo. A2A-10088-E0, FW4.88
 Mic Type: NTi Audio M4260, SNo. 5541, Factory adjusted
 Mic
 Sensitivity: 30.9 mV/Pa
 Time Zone: UTC-08:00 (US/Pacific)

Measurement Setup

Profile: Full mode
 Timer mode: single
 Timer set: 0:30:00
 Log-Interval: 0:01:00
 k1: 0.0 dB
 k2: 0.0 dB
 kset Date: k-Values not measured
 Range: 20 - 120 dB

Time

Start: 2023-12-04, 15:02:24
 End: 2023-12-04, 15:32:24

Broadband LOG Results

Date [YYYY-MM-DD]	Time [hh:mm:ss]	Timer [hh:mm:ss]	LAeq1' [dB]	LAeq5' [dB]	LAeq15' [dB]	LAeq30' [dB]
12/4/2023	15:03:24	0:29:00	63.1	63.1	63.1	63.1
12/4/2023	15:04:24	0:28:00	56.4	60.9	60.9	60.9
12/4/2023	15:05:24	0:27:00	54	59.6	59.6	59.6
12/4/2023	15:06:24	0:26:00	54.1	58.7	58.7	58.7
12/4/2023	15:07:24	0:25:00	58.1	58.6	58.6	58.6
12/4/2023	15:08:24	0:24:00	56.1	56	58.3	58.3
12/4/2023	15:09:24	0:23:00	54.4	55.7	57.9	57.9
12/4/2023	15:10:24	0:22:00	53.1	55.6	57.5	57.5
12/4/2023	15:11:24	0:21:00	49.7	55.1	57.1	57.1
12/4/2023	15:12:24	0:20:00	53	53.8	56.8	56.8
12/4/2023	15:13:24	0:19:00	55	53.4	56.7	56.7
12/4/2023	15:14:24	0:18:00	54.9	53.5	56.6	56.6
12/4/2023	15:15:24	0:17:00	46.9	52.9	56.3	56.3
12/4/2023	15:16:24	0:16:00	46.4	52.7	56	56
12/4/2023	15:17:24	0:15:00	51.8	52.4	55.8	55.8
12/4/2023	15:18:24	0:14:00	54.9	52.4	54.2	55.7
12/4/2023	15:19:24	0:13:00	53	51.8	54	55.6
12/4/2023	15:20:24	0:12:00	55.3	53.2	54	55.6
12/4/2023	15:21:24	0:11:00	56	54.4	54.2	55.6
12/4/2023	15:22:24	0:10:00	51.9	54.5	53.6	55.5
12/4/2023	15:23:24	0:09:00	53.8	54.2	53.4	55.4
12/4/2023	15:24:24	0:08:00	53.8	54.4	53.3	55.4
12/4/2023	15:25:24	0:07:00	48	53.4	53.2	55.2
12/4/2023	15:26:24	0:06:00	47	51.7	53.1	55.1
12/4/2023	15:27:24	0:05:00	47.2	51.1	52.9	54.9
12/4/2023	15:28:24	0:04:00	54.4	51.4	52.8	54.9
12/4/2023	15:29:24	0:03:00	58	53.3	53.3	55.1
12/4/2023	15:30:24	0:02:00	54.7	54.2	53.6	55
12/4/2023	15:31:24	0:01:00	53	54.7	53.8	55
12/4/2023	15:32:24	0:00:00	53.8	55.2	53.9	55

Broadband LOG Results over whole log period

12/4/2023	15:32:24	0:00:00	53.8	55.2	53.9	55
-----------	----------	---------	------	------	------	----

Device Info: XL2, SNo. A2A-10088-E0, FW4.88
 Mic Type: NTi Audio M4260, SNo. 5541, Factory adjusted
 Mic
 Sensitivity: 30.9 mV/Pa
 Time Zone: UTC-08:00 (US/Pacific)

Measurement Setup

Profile: Full mode
 Timer mode: single
 Timer set: 0:30:00
 Log-Interval: 0:01:00
 k1: 0.0 dB
 k2: 0.0 dB
 kset Date: k-Values not measured
 Range: 20 - 120 dB

Time

Start: 2023-12-04, 17:05:16
 End: 2023-12-04, 17:35:16

Broadband LOG Results

Date [YYYY-MM-DD]	Time [hh:mm:ss]	Timer [hh:mm:ss]	LAeq1' [dB]	LAeq5' [dB]	LAeq15' [dB]	LAeq30' [dB]
12/4/2023	17:06:16	0:29:00	57	57	57	57
12/4/2023	17:07:16	0:28:00	53.7	55.7	55.7	55.7
12/4/2023	17:08:16	0:27:00	55.4	55.6	55.6	55.6
12/4/2023	17:09:16	0:26:00	49.2	54.7	54.7	54.7
12/4/2023	17:10:16	0:25:00	53.2	54.4	54.4	54.4
12/4/2023	17:11:16	0:24:00	53.6	53.4	54.3	54.3
12/4/2023	17:12:16	0:23:00	56.2	54.1	54.6	54.6
12/4/2023	17:13:16	0:22:00	55.8	54.2	54.8	54.8
12/4/2023	17:14:16	0:21:00	54.5	54.8	54.8	54.8
12/4/2023	17:15:16	0:20:00	51.7	54.7	54.5	54.5
12/4/2023	17:16:16	0:19:00	50	54.2	54.3	54.3
12/4/2023	17:17:16	0:18:00	48.3	52.9	54	54
12/4/2023	17:18:16	0:17:00	53.2	52.1	53.9	53.9
12/4/2023	17:19:16	0:16:00	56.7	53	54.2	54.2
12/4/2023	17:20:16	0:15:00	54.4	53.5	54.2	54.2
12/4/2023	17:21:16	0:14:00	56.6	54.7	54.2	54.4
12/4/2023	17:22:16	0:13:00	52.2	55	54.1	54.3
12/4/2023	17:23:16	0:12:00	54	55.1	54	54.3
12/4/2023	17:24:16	0:11:00	55.7	54.8	54.3	54.4
12/4/2023	17:25:16	0:10:00	56.5	55.3	54.5	54.5
12/4/2023	17:26:16	0:09:00	55.9	55.1	54.7	54.6
12/4/2023	17:27:16	0:08:00	50.8	55	54.4	54.5
12/4/2023	17:28:16	0:07:00	53.1	54.8	54.2	54.4
12/4/2023	17:29:16	0:06:00	54.1	54.5	54.2	54.4
12/4/2023	17:30:16	0:05:00	50.3	53.3	54.1	54.3
12/4/2023	17:31:16	0:04:00	49.5	51.9	54.1	54.2
12/4/2023	17:32:16	0:03:00	47.3	51.5	54.1	54
12/4/2023	17:33:16	0:02:00	55.5	52.4	54.3	54.1
12/4/2023	17:34:16	0:01:00	50.2	51.5	53.8	54
12/4/2023	17:35:16	0:00:00	60	55	54.6	54.4

Broadband LOG Results over whole log period

12/4/2023	17:35:16	0:00:00	60	55	54.6	54.4
-----------	----------	---------	----	----	------	------

Device Info: XL2, SNo. A2A-10088-E0, FW4.88
 Mic Type: NTi Audio M4260, SNo. 5541, Factory adjusted
 Mic
 Sensitivity: 30.9 mV/Pa
 Time Zone: UTC-08:00 (US/Pacific)

Measurement Setup

Profile: Full mode
 Timer mode: single
 Timer set: 0:30:00
 Log-Interval: 0:01:00
 k1: 0.0 dB
 k2: 0.0 dB
 kset Date: k-Values not measured
 Range: 20 - 120 dB

Time

Start: 2023-12-04, 19:03:58
 End: 2023-12-04, 19:33:58

Broadband LOG Results

Date [YYYY-MM-DD]	Time [hh:mm:ss]	Timer [hh:mm:ss]	LAeq1' [dB]	LAeq5' [dB]	LAeq15' [dB]	LAeq30' [dB]
12/4/2023	19:04:58	0:29:00	52.9	52.9	52.9	52.9
12/4/2023	19:05:58	0:28:00	51.6	52.3	52.3	52.3
12/4/2023	19:06:58	0:27:00	53.4	52.7	52.7	52.7
12/4/2023	19:07:58	0:26:00	50.8	52.3	52.3	52.3
12/4/2023	19:08:58	0:25:00	54.6	52.9	52.9	52.9
12/4/2023	19:09:58	0:24:00	48.1	52.2	52.3	52.3
12/4/2023	19:10:58	0:23:00	52.9	52.5	52.4	52.4
12/4/2023	19:11:58	0:22:00	55.5	53.1	53	53
12/4/2023	19:12:58	0:21:00	47.9	52.9	52.6	52.6
12/4/2023	19:13:58	0:20:00	47.7	51.7	52.3	52.3
12/4/2023	19:14:58	0:19:00	52.1	52.2	52.3	52.3
12/4/2023	19:15:58	0:18:00	51.6	52	52.2	52.2
12/4/2023	19:16:58	0:17:00	51.3	50.5	52.2	52.2
12/4/2023	19:17:58	0:16:00	48.6	50.6	52	52
12/4/2023	19:18:58	0:15:00	48.8	50.7	51.8	51.8
12/4/2023	19:19:58	0:14:00	55.5	51.9	52.1	52.2
12/4/2023	19:20:58	0:13:00	50.9	51.8	52.1	52.1
12/4/2023	19:21:58	0:12:00	57.5	53.8	52.7	52.7
12/4/2023	19:22:58	0:11:00	48.4	53.8	52.6	52.5
12/4/2023	19:23:58	0:10:00	52	54.1	52.4	52.5
12/4/2023	19:24:58	0:09:00	49.8	53.1	52.4	52.4
12/4/2023	19:25:58	0:08:00	53.7	53.5	52.5	52.5
12/4/2023	19:26:58	0:07:00	52.8	51.8	52.2	52.5
12/4/2023	19:27:58	0:06:00	56.4	53.5	52.8	52.8
12/4/2023	19:28:58	0:05:00	53	53.7	53	52.8
12/4/2023	19:29:58	0:04:00	52.1	53.9	53	52.7
12/4/2023	19:30:58	0:03:00	53.6	53.9	53.2	52.8
12/4/2023	19:31:58	0:02:00	50.7	53.6	53.1	52.7
12/4/2023	19:32:58	0:01:00	51.8	52.4	53.3	52.7
12/4/2023	19:33:58	0:00:00	47.3	51.6	53.2	52.6

Broadband LOG Results over whole log period

12/4/2023	19:33:58	0:00:00	47.3	51.6	53.2	52.6
-----------	----------	---------	------	------	------	------

Device Info: XL2, SNo. A2A-10088-E0, FW4.88
 Mic Type: NTi Audio M4260, SNo. 5541, Factory adjusted
 Mic
 Sensitivity: 30.9 mV/Pa
 Time Zone: UTC-08:00 (US/Pacific)

Measurement Setup

Profile: Full mode
 Timer mode: single
 Timer set: 0:30:00
 Log-Interval: 0:01:00
 k1: 0.0 dB
 k2: 0.0 dB
 kset Date: k-Values not measured
 Range: 20 - 120 dB

Time

Start: 2023-12-05, 04:59:54
 End: 2023-12-05, 05:29:54

Broadband LOG Results

Date [YYYY-MM-DD]	Time [hh:mm:ss]	Timer [hh:mm:ss]	LAeq1' [dB]	LAeq5' [dB]	LAeq15' [dB]	LAeq30' [dB]
12/5/2023	5:00:54	0:29:00	60.4	60.4	60.4	60.4
12/5/2023	5:01:54	0:28:00	43.6	57.4	57.4	57.4
12/5/2023	5:02:54	0:27:00	44.2	55.8	55.8	55.8
12/5/2023	5:03:54	0:26:00	43.8	54.6	54.6	54.6
12/5/2023	5:04:54	0:25:00	43.6	53.7	53.7	53.7
12/5/2023	5:05:54	0:24:00	45.4	44.2	53.1	53.1
12/5/2023	5:06:54	0:23:00	45.2	44.5	52.5	52.5
12/5/2023	5:07:54	0:22:00	45.9	44.9	52.1	52.1
12/5/2023	5:08:54	0:21:00	45.1	45.1	51.7	51.7
12/5/2023	5:09:54	0:20:00	52.7	48.1	51.8	51.8
12/5/2023	5:10:54	0:19:00	47.9	48.5	51.5	51.5
12/5/2023	5:11:54	0:18:00	45.5	48.5	51.3	51.3
12/5/2023	5:12:54	0:17:00	45.1	48.4	51	51
12/5/2023	5:13:54	0:16:00	45.9	48.5	50.8	50.8
12/5/2023	5:14:54	0:15:00	45.5	46.1	50.6	50.6
12/5/2023	5:15:54	0:14:00	44.8	45.4	46.4	50.4
12/5/2023	5:16:54	0:13:00	51.7	47.5	47.1	50.5
12/5/2023	5:17:54	0:12:00	47.6	47.9	47.3	50.3
12/5/2023	5:18:54	0:11:00	47.4	48.1	47.5	50.2
12/5/2023	5:19:54	0:10:00	47.1	48.3	47.6	50.1
12/5/2023	5:20:54	0:09:00	47.5	48.6	47.7	50
12/5/2023	5:21:54	0:08:00	46.6	47.3	47.8	49.9
12/5/2023	5:22:54	0:07:00	46.8	47.1	47.8	49.8
12/5/2023	5:23:54	0:06:00	50.7	48	48.2	49.8
12/5/2023	5:24:54	0:05:00	46.6	48	47.6	49.8
12/5/2023	5:25:54	0:04:00	46.6	47.8	47.5	49.7
12/5/2023	5:26:54	0:03:00	46.8	47.8	47.5	49.6
12/5/2023	5:27:54	0:02:00	46.8	47.8	47.6	49.5
12/5/2023	5:28:54	0:01:00	47.5	46.9	47.7	49.5
12/5/2023	5:29:54	0:00:00	47.9	47.1	47.8	49.4

Broadband LOG Results over whole log period

12/5/2023	5:29:54	0:00:00	47.9	47.1	47.8	49.4
-----------	---------	---------	------	------	------	------

Device Info: XL2, SNo. A2A-10088-E0, FW4.88
 Mic Type: NTi Audio M4260, SNo. 5541, Factory adjusted
 Mic
 Sensitivity: 30.9 mV/Pa
 Time Zone: UTC-08:00 (US/Pacific)

Measurement Setup

Profile: Full mode
 Timer mode: single
 Timer set: 0:30:00
 Log-Interval: 0:01:00
 k1: 0.0 dB
 k2: 0.0 dB
 kset Date: k-Values not measured
 Range: 20 - 120 dB

Time

Start: 2023-12-05, 07:02:48
 End: 2023-12-05, 07:32:48

Broadband LOG Results

Date [YYYY-MM-DD]	Time [hh:mm:ss]	Timer [hh:mm:ss]	LAeq1' [dB]	LAeq5' [dB]	LAeq15' [dB]	LAeq30' [dB]
12/5/2023	7:03:48	0:29:00	63.5	63.5	63.5	63.5
12/5/2023	7:04:48	0:28:00	52.6	60.8	60.8	60.8
12/5/2023	7:05:48	0:27:00	57.1	59.9	59.9	59.9
12/5/2023	7:06:48	0:26:00	55.1	59.1	59.1	59.1
12/5/2023	7:07:48	0:25:00	57	58.8	58.8	58.8
12/5/2023	7:08:48	0:24:00	53.2	55.4	58.2	58.2
12/5/2023	7:09:48	0:23:00	54.8	55.7	57.9	57.9
12/5/2023	7:10:48	0:22:00	55.5	55.3	57.6	57.6
12/5/2023	7:11:48	0:21:00	56.3	55.6	57.5	57.5
12/5/2023	7:12:48	0:20:00	56	55.3	57.4	57.4
12/5/2023	7:13:48	0:19:00	54.3	55.4	57.2	57.2
12/5/2023	7:14:48	0:18:00	48.5	54.8	56.8	56.8
12/5/2023	7:15:48	0:17:00	53.2	54.4	56.6	56.6
12/5/2023	7:16:48	0:16:00	52.3	53.5	56.4	56.4
12/5/2023	7:17:48	0:15:00	52	52.4	56.2	56.2
12/5/2023	7:18:48	0:14:00	55.3	52.8	54.7	56.2
12/5/2023	7:19:48	0:13:00	52.9	53.3	54.7	56.1
12/5/2023	7:20:48	0:12:00	50	52.8	54.3	55.9
12/5/2023	7:21:48	0:11:00	62.5	57.1	55.6	56.6
12/5/2023	7:22:48	0:10:00	54.4	57.3	55.5	56.5
12/5/2023	7:23:48	0:09:00	55.7	57.4	55.6	56.5
12/5/2023	7:24:48	0:08:00	56.8	57.8	55.7	56.5
12/5/2023	7:25:48	0:07:00	57.8	58.5	55.9	56.6
12/5/2023	7:26:48	0:06:00	62	58.2	56.7	57
12/5/2023	7:27:48	0:05:00	65.8	61.3	58.4	58
12/5/2023	7:28:48	0:04:00	56.4	61.4	58.5	58
12/5/2023	7:29:48	0:03:00	55	61.3	58.6	57.9
12/5/2023	7:30:48	0:02:00	55.7	61.1	58.6	57.8
12/5/2023	7:31:48	0:01:00	57.7	60.4	58.8	57.8
12/5/2023	7:32:48	0:00:00	58.1	56.8	59	57.8

Broadband LOG Results over whole log period

12/5/2023	7:32:48	0:00:00	58.1	56.8	59	57.8
-----------	---------	---------	------	------	----	------

Device Info: XL2, SNo. A2A-10088-E0, FW4.88
 Mic Type: NTi Audio M4260, SNo. 5541, Factory adjusted
 Mic
 Sensitivity: 30.9 mV/Pa
 Time Zone: UTC-08:00 (US/Pacific)

Measurement Setup

Profile: Full mode
 Timer mode: single
 Timer set: 0:30:00
 Log-Interval: 0:01:00
 k1: 0.0 dB
 k2: 0.0 dB
 kset Date: k-Values not measured
 Range: 20 - 120 dB

Time

Start: 2023-12-05, 08:59:38
 End: 2023-12-05, 09:29:38

Broadband LOG Results

Date [YYYY-MM-DD]	Time [hh:mm:ss]	Timer [hh:mm:ss]	LAeq1' [dB]	LAeq5' [dB]	LAeq15' [dB]	LAeq30' [dB]
12/5/2023	9:00:38	0:29:00	64.5	64.5	64.5	64.5
12/5/2023	9:01:38	0:28:00	60.6	63	63	63
12/5/2023	9:02:38	0:27:00	61	62.4	62.4	62.4
12/5/2023	9:03:38	0:26:00	60.8	62.1	62.1	62.1
12/5/2023	9:04:38	0:25:00	49.4	61.1	61.1	61.1
12/5/2023	9:05:38	0:24:00	51.4	58.9	60.4	60.4
12/5/2023	9:06:38	0:23:00	48.2	57.4	59.8	59.8
12/5/2023	9:07:38	0:22:00	60.5	57.2	59.9	59.9
12/5/2023	9:08:38	0:21:00	59.7	56.7	59.9	59.9
12/5/2023	9:09:38	0:20:00	61.9	58.8	60.1	60.1
12/5/2023	9:10:38	0:19:00	57.3	59.3	59.9	59.9
12/5/2023	9:11:38	0:18:00	60.1	60.2	60	60
12/5/2023	9:12:38	0:17:00	46.1	59.1	59.6	59.6
12/5/2023	9:13:38	0:16:00	54.7	58.4	59.4	59.4
12/5/2023	9:14:38	0:15:00	59.8	57.6	59.4	59.4
12/5/2023	9:15:38	0:14:00	52.4	57	58.5	59.2
12/5/2023	9:16:38	0:13:00	57.8	56.2	58.2	59.1
12/5/2023	9:17:38	0:12:00	56.9	57	57.9	59
12/5/2023	9:18:38	0:11:00	46.6	56.6	57.3	58.8
12/5/2023	9:19:38	0:10:00	60.3	56.8	57.8	58.9
12/5/2023	9:20:38	0:09:00	58.6	57.7	58.1	58.9
12/5/2023	9:21:38	0:08:00	54.1	57.2	58.2	58.8
12/5/2023	9:22:38	0:07:00	57.9	57.4	57.9	58.7
12/5/2023	9:23:38	0:06:00	54.8	57.8	57.6	58.6
12/5/2023	9:24:38	0:05:00	47.1	55.9	56.8	58.5
12/5/2023	9:25:38	0:04:00	55.5	55	56.7	58.4
12/5/2023	9:26:38	0:03:00	57.2	55.7	56.4	58.3
12/5/2023	9:27:38	0:02:00	61.7	57.3	57.3	58.5
12/5/2023	9:28:38	0:01:00	57.5	57.8	57.4	58.5
12/5/2023	9:29:38	0:00:00	56	58.2	57.1	58.4

Broadband LOG Results over whole log period

12/5/2023	9:29:38	0:00:00	56	58.2	57.1	58.4
-----------	---------	---------	----	------	------	------

Device Info: XL2, SNo. A2A-10088-E0, FW4.88
 Mic Type: NTi Audio M4260, SNo. 5541, Factory adjusted
 Mic
 Sensitivity: 30.9 mV/Pa
 Time Zone: UTC-08:00 (US/Pacific)

Measurement Setup

Profile: Full mode
 Timer mode: single
 Timer set: 0:30:00
 Log-Interval: 0:01:00
 k1: 0.0 dB
 k2: 0.0 dB
 kset Date: k-Values not measured
 Range: 20 - 120 dB

Time

Start: 2023-12-05, 11:10:36
 End: 2023-12-05, 11:40:36

Broadband LOG Results

Date [YYYY-MM-DD]	Time [hh:mm:ss]	Timer [hh:mm:ss]	LAeq1' [dB]	LAeq5' [dB]	LAeq15' [dB]	LAeq30' [dB]
12/5/2023	11:11:36	0:29:00	49.7	49.7	49.7	49.7
12/5/2023	11:12:36	0:28:00	58.2	55.7	55.7	55.7
12/5/2023	11:13:36	0:27:00	54.3	55.3	55.3	55.3
12/5/2023	11:14:36	0:26:00	53.3	54.9	54.9	54.9
12/5/2023	11:15:36	0:25:00	51.7	54.4	54.4	54.4
12/5/2023	11:16:36	0:24:00	55.8	55.2	54.7	54.7
12/5/2023	11:17:36	0:23:00	55.4	54.4	54.8	54.8
12/5/2023	11:18:36	0:22:00	62.1	57.3	56.7	56.7
12/5/2023	11:19:36	0:21:00	59.8	58.4	57.2	57.2
12/5/2023	11:20:36	0:20:00	62.5	60.1	58.1	58.1
12/5/2023	11:21:36	0:19:00	46.1	59.8	57.7	57.7
12/5/2023	11:22:36	0:18:00	55.9	59.8	57.6	57.6
12/5/2023	11:23:36	0:17:00	58.9	59	57.7	57.7
12/5/2023	11:24:36	0:16:00	54.8	58.2	57.6	57.6
12/5/2023	11:25:36	0:15:00	56.1	55.9	57.5	57.5
12/5/2023	11:26:36	0:14:00	52.1	56.1	57.5	57.3
12/5/2023	11:27:36	0:13:00	57.4	56.4	57.5	57.3
12/5/2023	11:28:36	0:12:00	49.1	54.8	57.4	57.1
12/5/2023	11:29:36	0:11:00	54.6	54.7	57.4	57
12/5/2023	11:30:36	0:10:00	61.8	57.2	58.1	57.4
12/5/2023	11:31:36	0:09:00	58.1	57.9	58.2	57.4
12/5/2023	11:32:36	0:08:00	59.8	58.4	58.4	57.6
12/5/2023	11:33:36	0:07:00	53.8	58.6	57.8	57.5
12/5/2023	11:34:36	0:06:00	59.5	59.3	57.8	57.6
12/5/2023	11:35:36	0:05:00	46.4	57.4	56.9	57.4
12/5/2023	11:36:36	0:04:00	60.6	58.1	57.5	57.6
12/5/2023	11:37:36	0:03:00	60.1	58.2	57.8	57.7
12/5/2023	11:38:36	0:02:00	59.3	59	57.8	57.8
12/5/2023	11:39:36	0:01:00	60	59.1	58.2	57.9
12/5/2023	11:40:36	0:00:00	61.7	60.4	58.6	58.1

Broadband LOG Results over whole log period

12/5/2023	11:40:36	0:00:00	61.7	60.4	58.6	58.1
-----------	----------	---------	------	------	------	------

Device Info: XL2, SNo. A2A-10088-E0, FW4.88
 Mic Type: NTi Audio M4260, SNo. 5541, Factory adjusted
 Mic
 Sensitivity: 30.9 mV/Pa
 Time Zone: UTC-08:00 (US/Pacific)

Measurement Setup

Profile: Full mode
 Timer mode: single
 Timer set: 0:30:00
 Log-Interval: 0:01:00
 k1: 0.0 dB
 k2: 0.0 dB
 kset Date: k-Values not measured
 Range: 20 - 120 dB

Time

Start: 2023-12-05, 12:58:30
 End: 2023-12-05, 13:28:30

Broadband LOG Results

Date [YYYY-MM-DD]	Time [hh:mm:ss]	Timer [hh:mm:ss]	LAeq1' [dB]	LAeq5' [dB]	LAeq15' [dB]	LAeq30' [dB]
12/5/2023	12:59:30	0:29:00	62.5	62.5	62.5	62.5
12/5/2023	13:00:30	0:28:00	61.9	62.2	62.2	62.2
12/5/2023	13:01:30	0:27:00	59.4	61.5	61.5	61.5
12/5/2023	13:02:30	0:26:00	49.3	60.3	60.3	60.3
12/5/2023	13:03:30	0:25:00	58.6	60	60	60
12/5/2023	13:04:30	0:24:00	58.9	59	59.8	59.8
12/5/2023	13:05:30	0:23:00	64.4	60.2	60.9	60.9
12/5/2023	13:06:30	0:22:00	56.8	59.9	60.5	60.5
12/5/2023	13:07:30	0:21:00	60.3	60.7	60.5	60.5
12/5/2023	13:08:30	0:20:00	50.5	60.2	60.1	60.1
12/5/2023	13:09:30	0:19:00	58	60	59.9	59.9
12/5/2023	13:10:30	0:18:00	56.6	57.4	59.7	59.7
12/5/2023	13:11:30	0:17:00	55.7	57.2	59.5	59.5
12/5/2023	13:12:30	0:16:00	59.5	56.9	59.5	59.5
12/5/2023	13:13:30	0:15:00	47.7	56.8	59.2	59.2
12/5/2023	13:14:30	0:14:00	48.8	55.7	58.6	59
12/5/2023	13:15:30	0:13:00	50.1	54.8	58	58.8
12/5/2023	13:16:30	0:12:00	60.4	56.5	58.1	58.9
12/5/2023	13:17:30	0:11:00	57.6	55.8	58.3	58.8
12/5/2023	13:18:30	0:10:00	54.3	56.3	58.1	58.7
12/5/2023	13:19:30	0:09:00	62.4	58.8	58.5	58.9
12/5/2023	13:20:30	0:08:00	56.1	59.1	57.4	58.8
12/5/2023	13:21:30	0:07:00	61.6	59.5	57.9	59
12/5/2023	13:22:30	0:06:00	46.4	58.9	57.4	58.8
12/5/2023	13:23:30	0:05:00	61	59.9	58	59
12/5/2023	13:24:30	0:04:00	66.3	61.7	59.4	59.6
12/5/2023	13:25:30	0:03:00	60.1	62.1	59.6	59.7
12/5/2023	13:26:30	0:02:00	57.3	61.6	59.7	59.6
12/5/2023	13:27:30	0:01:00	61.7	62.4	59.8	59.7
12/5/2023	13:28:30	0:00:00	56.5	61.9	59.9	59.6

Broadband LOG Results over whole log period

12/5/2023	13:28:30	0:00:00	56.5	61.9	59.9	59.6
-----------	----------	---------	------	------	------	------

Device Info: XL2, SNo. A2A-10088-E0, FW4.88
 Mic Type: NTi Audio M4260, SNo. 5541, Factory adjusted
 Mic
 Sensitivity: 30.9 mV/Pa
 Time Zone: UTC-08:00 (US/Pacific)

Measurement Setup

Profile: Full mode
 Timer mode: single
 Timer set: 0:30:00
 Log-Interval: 0:01:00
 k1: 0.0 dB
 k2: 0.0 dB
 kset Date: k-Values not measured
 Range: 20 - 120 dB

Time

Start: 2023-12-05, 14:58:04
 End: 2023-12-05, 15:28:04

Broadband LOG Results

Date [YYYY-MM-DD]	Time [hh:mm:ss]	Timer [hh:mm:ss]	LAeq1' [dB]	LAeq5' [dB]	LAeq15' [dB]	LAeq30' [dB]
12/5/2023	14:59:04	0:29:00	57.7	57.7	57.7	57.7
12/5/2023	15:00:04	0:28:00	59.7	58.8	58.8	58.8
12/5/2023	15:01:04	0:27:00	52.8	57.6	57.6	57.6
12/5/2023	15:02:04	0:26:00	46.2	56.4	56.4	56.4
12/5/2023	15:03:04	0:25:00	61.7	58.1	58.1	58.1
12/5/2023	15:04:04	0:24:00	62.1	59.3	59.1	59.1
12/5/2023	15:05:04	0:23:00	51.6	58.4	58.5	58.5
12/5/2023	15:06:04	0:22:00	56.1	58.7	58.3	58.3
12/5/2023	15:07:04	0:21:00	47.1	58.7	57.8	57.8
12/5/2023	15:08:04	0:20:00	65.3	60.5	59.5	59.5
12/5/2023	15:09:04	0:19:00	62.3	60.6	59.8	59.8
12/5/2023	15:10:04	0:18:00	56.1	60.8	59.6	59.6
12/5/2023	15:11:04	0:17:00	65.1	62.5	60.4	60.4
12/5/2023	15:12:04	0:16:00	59.2	62.8	60.3	60.3
12/5/2023	15:13:04	0:15:00	44.4	60.9	60	60
12/5/2023	15:14:04	0:14:00	60.3	60.5	60.2	60
12/5/2023	15:15:04	0:13:00	60.8	61	60.2	60.1
12/5/2023	15:16:04	0:12:00	61.5	59.6	60.5	60.2
12/5/2023	15:17:04	0:11:00	59.1	59.5	60.7	60.1
12/5/2023	15:18:04	0:10:00	51.4	59.6	60.4	59.9
12/5/2023	15:19:04	0:09:00	60.2	59.6	60.2	59.9
12/5/2023	15:20:04	0:08:00	62.8	60.3	60.7	60.1
12/5/2023	15:21:04	0:07:00	60.1	59.9	60.8	60.1
12/5/2023	15:22:04	0:06:00	61.6	60.5	61.2	60.2
12/5/2023	15:23:04	0:05:00	59	61	60.6	60.2
12/5/2023	15:24:04	0:04:00	54.4	60.4	60.2	60
12/5/2023	15:25:04	0:03:00	44.8	58.5	60.1	59.9
12/5/2023	15:26:04	0:02:00	54.3	57.5	59.1	59.8
12/5/2023	15:27:04	0:01:00	59.3	56.5	59.1	59.7
12/5/2023	15:28:04	0:00:00	59.5	56.7	59.4	59.7

Broadband LOG Results over whole log period

12/5/2023	15:28:04	0:00:00	59.5	56.7	59.4	59.7
-----------	----------	---------	------	------	------	------

Device Info: XL2, SNo. A2A-10088-E0, FW4.88
 Mic Type: NTi Audio M4260, SNo. 5541, Factory adjusted
 Mic
 Sensitivity: 30.9 mV/Pa
 Time Zone: UTC-08:00 (US/Pacific)

Profile: Full mode
 Timer mode: single
 Timer set: 0:30:00
 Log-Interval: 0:01:00
 k1: 0.0 dB
 k2: 0.0 dB
 kset Date: k-Values not measured
 Range: 20 - 120 dB

Start: 2023-12-05, 16:55:02
 End: 2023-12-05, 17:25:02

Date [YYYY-MM-DD]	Time [hh:mm:ss]	Timer [hh:mm:ss]	LAeq1' [dB]	LAeq5' [dB]	LAeq15' [dB]	LAeq30' [dB]
12/5/2023	16:56:02	0:29:00	59.9	59.9	59.9	59.9
12/5/2023	16:57:02	0:28:00	63.4	62	62	62
12/5/2023	16:58:02	0:27:00	61.5	61.8	61.8	61.8
12/5/2023	16:59:02	0:26:00	60.6	61.6	61.6	61.6
12/5/2023	17:00:02	0:25:00	61.1	61.5	61.5	61.5
12/5/2023	17:01:02	0:24:00	62.2	61.9	61.6	61.6
12/5/2023	17:02:02	0:23:00	57.9	60.9	61.2	61.2
12/5/2023	17:03:02	0:22:00	57.7	60.3	60.9	60.9
12/5/2023	17:04:02	0:21:00	63.3	61	61.3	61.3
12/5/2023	17:05:02	0:20:00	64	61.8	61.6	61.6
12/5/2023	17:06:02	0:19:00	61.7	61.7	61.6	61.6
12/5/2023	17:07:02	0:18:00	61.5	62.1	61.6	61.6
12/5/2023	17:08:02	0:17:00	56.8	62.1	61.4	61.4
12/5/2023	17:09:02	0:16:00	63.9	62.2	61.6	61.6
12/5/2023	17:10:02	0:15:00	63.6	62.1	61.8	61.8
12/5/2023	17:11:02	0:14:00	59.2	61.7	61.8	61.7
12/5/2023	17:12:02	0:13:00	62.7	62	61.7	61.7
12/5/2023	17:13:02	0:12:00	63.4	62.9	61.9	61.9
12/5/2023	17:14:02	0:11:00	68.6	64.6	62.9	62.6
12/5/2023	17:15:02	0:10:00	56.9	64	62.7	62.5
12/5/2023	17:16:02	0:09:00	59.4	64	62.6	62.4
12/5/2023	17:17:02	0:08:00	46.8	63.3	62.5	62.2
12/5/2023	17:18:02	0:07:00	57.6	62.6	62.5	62
12/5/2023	17:19:02	0:06:00	57.7	57.1	62.3	61.9
12/5/2023	17:20:02	0:05:00	62.2	58.7	62.1	61.9
12/5/2023	17:21:02	0:04:00	65.4	61	62.5	62.1
12/5/2023	17:22:02	0:03:00	64.5	62.6	62.7	62.2
12/5/2023	17:23:02	0:02:00	65.3	63.8	63.1	62.4
12/5/2023	17:24:02	0:01:00	59.1	63.8	62.9	62.3
12/5/2023	17:25:02	0:00:00	61.1	63.7	62.7	62.3
12/5/2023	17:25:02	0:00:00	61.1	63.7	62.7	62.3

Device Info: XL2, SNo. A2A-10088-E0, FW4.88
 Mic Type: NTi Audio M4260, SNo. 5541, Factory adjusted
 Mic
 Sensitivity: 30.9 mV/Pa
 Time Zone: UTC-08:00 (US/Pacific)

Measurement Setup

Profile: Full mode
 Timer mode: single
 Timer set: 0:30:00
 Log-Interval: 0:01:00
 k1: 0.0 dB
 k2: 0.0 dB
 kset Date: k-Values not measured
 Range: 20 - 120 dB

Time

Start: 2023-12-05, 18:58:54
 End: 2023-12-05, 19:28:54

Broadband LOG Results

Date [YYYY-MM-DD]	Time [hh:mm:ss]	Timer [hh:mm:ss]	LAeq1' [dB]	LAeq5' [dB]	LAeq15' [dB]	LAeq30' [dB]
12/5/2023	18:59:54	0:29:00	61	61	61	61
12/5/2023	19:00:54	0:28:00	57.6	59.7	59.7	59.7
12/5/2023	19:01:54	0:27:00	60.5	60	60	60
12/5/2023	19:02:54	0:26:00	59.9	60	60	60
12/5/2023	19:03:54	0:25:00	51.4	59.1	59.1	59.1
12/5/2023	19:04:54	0:24:00	48.5	57.6	58.4	58.4
12/5/2023	19:05:54	0:23:00	49.7	56.8	57.8	57.8
12/5/2023	19:06:54	0:22:00	58.6	56	57.9	57.9
12/5/2023	19:07:54	0:21:00	57.4	55	57.9	57.9
12/5/2023	19:08:54	0:20:00	59	56.5	58	58
12/5/2023	19:09:54	0:19:00	61.3	58.5	58.4	58.4
12/5/2023	19:10:54	0:18:00	63.2	60.4	59.1	59.1
12/5/2023	19:11:54	0:17:00	56.7	60.2	59	59
12/5/2023	19:12:54	0:16:00	54.6	60	58.8	58.8
12/5/2023	19:13:54	0:15:00	47.5	59.3	58.5	58.5
12/5/2023	19:14:54	0:14:00	53.1	57.9	58	58.3
12/5/2023	19:15:54	0:13:00	47.9	53.3	57.8	58
12/5/2023	19:16:54	0:12:00	48.8	51.4	57.2	57.8
12/5/2023	19:17:54	0:11:00	61.9	55.9	57.5	58.2
12/5/2023	19:18:54	0:10:00	58.3	57.1	57.8	58.2
12/5/2023	19:19:54	0:09:00	48.9	56.9	57.8	58
12/5/2023	19:20:54	0:08:00	61.3	58.7	58.4	58.2
12/5/2023	19:21:54	0:07:00	50.1	58.7	58.1	58
12/5/2023	19:22:54	0:06:00	47.3	56.6	57.9	57.9
12/5/2023	19:23:54	0:05:00	47.5	55.2	57.5	57.7
12/5/2023	19:24:54	0:04:00	60.3	57.2	57.4	57.8
12/5/2023	19:25:54	0:03:00	60.6	56.9	56.8	58
12/5/2023	19:26:54	0:02:00	49.4	56.8	56.6	57.9
12/5/2023	19:27:54	0:01:00	58.3	57.8	56.8	57.9
12/5/2023	19:28:54	0:00:00	49.6	57.9	56.8	57.7

Broadband LOG Results over whole log period

12/5/2023	19:28:54	0:00:00	49.6	57.9	56.8	57.7
-----------	----------	---------	------	------	------	------

Device Info: XL2, SNo. A2A-10088-E0, FW4.88
 Mic Type: NTi Audio M4260, SNo. 5541, Factory adjusted
 Mic
 Sensitivity: 30.9 mV/Pa
 Time Zone: UTC-08:00 (US/Pacific)

Measurement Setup

Profile: Full mode
 Timer mode: single
 Timer set: 0:30:00
 Log-Interval: 0:01:00
 k1: 0.0 dB
 k2: 0.0 dB
 kset Date: k-Values not measured
 Range: 20 - 120 dB

Time

Start: 2023-12-06, 05:01:20
 End: 2023-12-06, 05:31:20

Broadband LOG Results

Date [YYYY-MM-DD]	Time [hh:mm:ss]	Timer [hh:mm:ss]	LAeq1' [dB]	LAeq5' [dB]	LAeq15' [dB]	LAeq30' [dB]
12/6/2023	5:02:20	0:29:00	58.5	58.5	58.5	58.5
12/6/2023	5:03:20	0:28:00	44	55.6	55.6	55.6
12/6/2023	5:04:20	0:27:00	45.8	54.1	54.1	54.1
12/6/2023	5:05:20	0:26:00	44	53	53	53
12/6/2023	5:06:20	0:25:00	44	52.1	52.1	52.1
12/6/2023	5:07:20	0:24:00	44.9	44.6	51.5	51.5
12/6/2023	5:08:20	0:23:00	44.2	44.6	51	51
12/6/2023	5:09:20	0:22:00	45.5	44.6	50.6	50.6
12/6/2023	5:10:20	0:21:00	48.3	45.7	50.4	50.4
12/6/2023	5:11:20	0:20:00	44.5	45.8	50	50
12/6/2023	5:12:20	0:19:00	44.3	45.7	49.7	49.7
12/6/2023	5:13:20	0:18:00	45.2	45.9	49.5	49.5
12/6/2023	5:14:20	0:17:00	47.2	46.2	49.4	49.4
12/6/2023	5:15:20	0:16:00	53.2	48.4	49.8	49.8
12/6/2023	5:16:20	0:15:00	45.2	48.5	49.6	49.6
12/6/2023	5:17:20	0:14:00	45.7	48.6	46.7	49.4
12/6/2023	5:18:20	0:13:00	45.7	48.7	46.7	49.3
12/6/2023	5:19:20	0:12:00	46.4	48.6	46.8	49.1
12/6/2023	5:20:20	0:11:00	46.8	46	46.9	49.1
12/6/2023	5:21:20	0:10:00	51.6	47.9	47.5	49.2
12/6/2023	5:22:20	0:09:00	46.6	48	47.6	49.1
12/6/2023	5:23:20	0:08:00	48.1	48.4	47.8	49.1
12/6/2023	5:24:20	0:07:00	46.1	48.4	47.8	49
12/6/2023	5:25:20	0:06:00	47.5	48.5	47.8	48.9
12/6/2023	5:26:20	0:05:00	47.5	47.2	47.9	48.9
12/6/2023	5:27:20	0:04:00	53.1	49.2	48.7	49.1
12/6/2023	5:28:20	0:03:00	46.9	49.1	48.7	49.1
12/6/2023	5:29:20	0:02:00	47.8	49.3	48.7	49
12/6/2023	5:30:20	0:01:00	46	49.1	48	49
12/6/2023	5:31:20	0:00:00	47.8	49.2	48.2	48.9

Broadband LOG Results over whole log period

12/6/2023	5:31:20	0:00:00	47.8	49.2	48.2	48.9
-----------	---------	---------	------	------	------	------

Device Info: XL2, SNo. A2A-10088-E0, FW4.88
 Mic Type: NTi Audio M4260, SNo. 5541, Factory adjusted
 Mic
 Sensitivity: 30.9 mV/Pa
 Time Zone: UTC-08:00 (US/Pacific)

Measurement Setup

Profile: Full mode
 Timer mode: single
 Timer set: 0:30:00
 Log-Interval: 0:01:00
 k1: 0.0 dB
 k2: 0.0 dB
 kset Date: k-Values not measured
 Range: 20 - 120 dB

Time

Start: 2023-12-06, 07:01:18
 End: 2023-12-06, 07:31:18

Broadband LOG Results

Date [YYYY-MM-DD]	Time [hh:mm:ss]	Timer [hh:mm:ss]	LAeq1' [dB]	LAeq5' [dB]	LAeq15' [dB]	LAeq30' [dB]
12/6/2023	7:02:18	0:29:00	59.7	59.7	59.7	59.7
12/6/2023	7:03:18	0:28:00	58.8	59.3	59.3	59.3
12/6/2023	7:04:18	0:27:00	55.7	58.4	58.4	58.4
12/6/2023	7:05:18	0:26:00	53.9	57.6	57.6	57.6
12/6/2023	7:06:18	0:25:00	57.4	57.6	57.6	57.6
12/6/2023	7:07:18	0:24:00	54.5	56.4	57.2	57.2
12/6/2023	7:08:18	0:23:00	52.5	55.1	56.8	56.8
12/6/2023	7:09:18	0:22:00	53.9	54.8	56.5	56.5
12/6/2023	7:10:18	0:21:00	52.9	54.6	56.2	56.2
12/6/2023	7:11:18	0:20:00	55	53.9	56.1	56.1
12/6/2023	7:12:18	0:19:00	53.2	53.6	55.9	55.9
12/6/2023	7:13:18	0:18:00	55.2	54.1	55.9	55.9
12/6/2023	7:14:18	0:17:00	58.8	55.6	56.2	56.2
12/6/2023	7:15:18	0:16:00	60.5	57.4	56.7	56.7
12/6/2023	7:16:18	0:15:00	52.4	57.2	56.5	56.5
12/6/2023	7:17:18	0:14:00	54.8	57.3	56.1	56.4
12/6/2023	7:18:18	0:13:00	57.4	57.7	55.9	56.5
12/6/2023	7:19:18	0:12:00	54.8	56.9	55.9	56.4
12/6/2023	7:20:18	0:11:00	56.9	55.6	56	56.4
12/6/2023	7:21:18	0:10:00	53.6	55.7	55.8	56.3
12/6/2023	7:22:18	0:09:00	52.9	55.5	55.7	56.2
12/6/2023	7:23:18	0:08:00	58.8	55.9	56.2	56.4
12/6/2023	7:24:18	0:07:00	57.7	56.5	56.4	56.4
12/6/2023	7:25:18	0:06:00	55.2	56.2	56.5	56.4
12/6/2023	7:26:18	0:05:00	57.7	56.9	56.7	56.4
12/6/2023	7:27:18	0:04:00	51.4	56.8	56.6	56.3
12/6/2023	7:28:18	0:03:00	58.8	56.8	56.9	56.4
12/6/2023	7:29:18	0:02:00	52.5	56	56.5	56.4
12/6/2023	7:30:18	0:01:00	52.2	55.6	55.8	56.3
12/6/2023	7:31:18	0:00:00	50.6	54.3	55.8	56.2

Broadband LOG Results over whole log period

12/6/2023	7:31:18	0:00:00	50.6	54.3	55.8	56.2
-----------	---------	---------	------	------	------	------

Device Info: XL2, SNo. A2A-10088-E0, FW4.88
 Mic Type: NTi Audio M4260, SNo. 5541, Factory adjusted
 Mic
 Sensitivity: 30.9 mV/Pa
 Time Zone: UTC-08:00 (US/Pacific)

Measurement Setup

Profile: Full mode
 Timer mode: single
 Timer set: 0:30:00
 Log-Interval: 0:01:00
 k1: 0.0 dB
 k2: 0.0 dB
 kset Date: k-Values not measured
 Range: 20 - 120 dB

Time

Start: 2023-12-06, 09:02:58
 End: 2023-12-06, 09:32:58

Broadband LOG Results

Date [YYYY-MM-DD]	Time [hh:mm:ss]	Timer [hh:mm:ss]	LAeq1' [dB]	LAeq5' [dB]	LAeq15' [dB]	LAeq30' [dB]
12/6/2023	9:03:58	0:29:00	61.4	61.4	61.4	61.4
12/6/2023	9:04:58	0:28:00	48.3	58.6	58.6	58.6
12/6/2023	9:05:58	0:27:00	68.1	64.2	64.2	64.2
12/6/2023	9:06:58	0:26:00	60.3	63.5	63.5	63.5
12/6/2023	9:07:58	0:25:00	57.4	62.8	62.8	62.8
12/6/2023	9:08:58	0:24:00	62.8	63.1	62.8	62.8
12/6/2023	9:09:58	0:23:00	60.7	63.5	62.6	62.6
12/6/2023	9:10:58	0:22:00	61.4	60.9	62.4	62.4
12/6/2023	9:11:58	0:21:00	60.8	61	62.3	62.3
12/6/2023	9:12:58	0:20:00	53.1	60.7	61.9	61.9
12/6/2023	9:13:58	0:19:00	51.8	59.2	61.5	61.5
12/6/2023	9:14:58	0:18:00	49.4	57.8	61.2	61.2
12/6/2023	9:15:58	0:17:00	55.4	56	60.9	60.9
12/6/2023	9:16:58	0:16:00	58	54.6	60.8	60.8
12/6/2023	9:17:58	0:15:00	63.8	58.6	61	61
12/6/2023	9:18:58	0:14:00	58.2	59.2	60.9	60.9
12/6/2023	9:19:58	0:13:00	52.6	59.3	60.9	60.7
12/6/2023	9:20:58	0:12:00	53.8	59.1	59.1	60.5
12/6/2023	9:21:58	0:11:00	60.8	59.7	59.1	60.5
12/6/2023	9:22:58	0:10:00	51.9	56.9	59	60.3
12/6/2023	9:23:58	0:09:00	61.3	58	58.8	60.4
12/6/2023	9:24:58	0:08:00	58.6	58.7	58.6	60.3
12/6/2023	9:25:58	0:07:00	60	59.5	58.5	60.3
12/6/2023	9:26:58	0:06:00	57.3	58.8	58.2	60.2
12/6/2023	9:27:58	0:05:00	55.7	59	58.3	60.1
12/6/2023	9:28:58	0:04:00	49.1	57.4	58.2	59.9
12/6/2023	9:29:58	0:03:00	52.7	56.4	58.3	59.8
12/6/2023	9:30:58	0:02:00	63.8	58.6	59.1	60
12/6/2023	9:31:58	0:01:00	62.5	59.8	59.5	60.1
12/6/2023	9:32:58	0:00:00	69.6	64.3	61.2	61.1

Broadband LOG Results over whole log period

12/6/2023	9:32:58	0:00:00	69.6	64.3	61.2	61.1
-----------	---------	---------	------	------	------	------

Device Info: XL2, SNo. A2A-10088-E0, FW4.88
 Mic Type: NTi Audio M4260, SNo. 5541, Factory adjusted
 Mic
 Sensitivity: 30.9 mV/Pa
 Time Zone: UTC-08:00 (US/Pacific)

Measurement Setup

Profile: Full mode
 Timer mode: single
 Timer set: 0:30:00
 Log-Interval: 0:01:00
 k1: 0.0 dB
 k2: 0.0 dB
 kset Date: k-Values not measured
 Range: 20 - 120 dB

Time

Start: 2023-12-06, 11:00:32
 End: 2023-12-06, 11:30:32

Broadband LOG Results

Date [YYYY-MM-DD]	Time [hh:mm:ss]	Timer [hh:mm:ss]	LAeq1' [dB]	LAeq5' [dB]	LAeq15' [dB]	LAeq30' [dB]
12/6/2023	11:01:32	0:29:00	61.3	61.3	61.3	61.3
12/6/2023	11:02:32	0:28:00	48.2	58.5	58.5	58.5
12/6/2023	11:03:32	0:27:00	63	60.5	60.5	60.5
12/6/2023	11:04:32	0:26:00	59.9	60.4	60.4	60.4
12/6/2023	11:05:32	0:25:00	47.9	59.5	59.5	59.5
12/6/2023	11:06:32	0:24:00	48.3	58	58.8	58.8
12/6/2023	11:07:32	0:23:00	52	58.1	58.2	58.2
12/6/2023	11:08:32	0:22:00	54.5	54.9	57.9	57.9
12/6/2023	11:09:32	0:21:00	63.3	57.3	59	59
12/6/2023	11:10:32	0:20:00	57	58	58.8	58.8
12/6/2023	11:11:32	0:19:00	62.4	59.8	59.3	59.3
12/6/2023	11:12:32	0:18:00	45.5	59.7	58.9	58.9
12/6/2023	11:13:32	0:17:00	62.5	60.9	59.3	59.3
12/6/2023	11:14:32	0:16:00	47.7	59.2	59	59
12/6/2023	11:15:32	0:15:00	59.5	59.5	59.1	59.1
12/6/2023	11:16:32	0:14:00	58.2	58.3	58.8	59
12/6/2023	11:17:32	0:13:00	70.2	64.4	61.6	61.3
12/6/2023	11:18:32	0:12:00	58.5	64.1	61.4	61.2
12/6/2023	11:19:32	0:11:00	55.9	64.2	61.2	61.1
12/6/2023	11:20:32	0:10:00	54	64	61.3	60.9
12/6/2023	11:21:32	0:09:00	65.5	64.9	62	61.3
12/6/2023	11:22:32	0:08:00	53.4	60.1	62	61.1
12/6/2023	11:23:32	0:07:00	64.7	61.7	62.4	61.3
12/6/2023	11:24:32	0:06:00	59.7	62	62.2	61.3
12/6/2023	11:25:32	0:05:00	58.8	62.2	62.3	61.2
12/6/2023	11:26:32	0:04:00	59.8	60.6	62.1	61.1
12/6/2023	11:27:32	0:03:00	54.3	60.7	62.2	61
12/6/2023	11:28:32	0:02:00	85	78	73.5	70.9
12/6/2023	11:29:32	0:01:00	53.6	78	73.5	70.8
12/6/2023	11:30:32	0:00:00	59.5	78	73.5	70.7

Broadband LOG Results over whole log period

12/6/2023	11:30:32	0:00:00	59.5	78	73.5	70.7
-----------	----------	---------	------	----	------	------

Device Info: XL2, SNo. A2A-10088-E0, FW4.88
 Mic Type: NTi Audio M4260, SNo. 5541, Factory adjusted
 Mic
 Sensitivity: 30.9 mV/Pa
 Time Zone: UTC-08:00 (US/Pacific)

Measurement Setup

Profile: Full mode
 Timer mode: single
 Timer set: 0:30:00
 Log-Interval: 0:01:00
 k1: 0.0 dB
 k2: 0.0 dB
 kset Date: k-Values not measured
 Range: 20 - 120 dB

Time

Start: 2023-12-06, 13:08:04
 End: 2023-12-06, 13:38:04

Broadband LOG Results

Date [YYYY-MM-DD]	Time [hh:mm:ss]	Timer [hh:mm:ss]	LAeq1' [dB]	LAeq5' [dB]	LAeq15' [dB]	LAeq30' [dB]
12/6/2023	13:09:04	0:29:00	66	66	66	66
12/6/2023	13:10:04	0:28:00	58.5	63.7	63.7	63.7
12/6/2023	13:11:04	0:27:00	57.8	62.5	62.5	62.5
12/6/2023	13:12:04	0:26:00	45.2	61.3	61.3	61.3
12/6/2023	13:13:04	0:25:00	60.1	61.1	61.1	61.1
12/6/2023	13:14:04	0:24:00	58.3	57.8	60.7	60.7
12/6/2023	13:15:04	0:23:00	55.6	57.3	60.3	60.3
12/6/2023	13:16:04	0:22:00	58.1	57.4	60	60
12/6/2023	13:17:04	0:21:00	50.7	57.5	59.6	59.6
12/6/2023	13:18:04	0:20:00	56.9	56.6	59.4	59.4
12/6/2023	13:19:04	0:19:00	61.2	57.7	59.6	59.6
12/6/2023	13:20:04	0:18:00	50.6	57.3	59.3	59.3
12/6/2023	13:21:04	0:17:00	61.3	58.3	59.5	59.5
12/6/2023	13:22:04	0:16:00	56.9	58.8	59.3	59.3
12/6/2023	13:23:04	0:15:00	57.6	58.9	59.2	59.2
12/6/2023	13:24:04	0:14:00	56.3	57.7	57.8	59.1
12/6/2023	13:25:04	0:13:00	49.5	57.7	57.4	58.9
12/6/2023	13:26:04	0:12:00	59.7	57	57.6	58.9
12/6/2023	13:27:04	0:11:00	78	71.2	66.8	66.1
12/6/2023	13:28:04	0:10:00	66.9	71.4	67	66.1
12/6/2023	13:29:04	0:09:00	61.9	71.5	67.1	66
12/6/2023	13:30:04	0:08:00	64.6	71.7	67.2	66
12/6/2023	13:31:04	0:07:00	66.9	71.9	67.5	66
12/6/2023	13:32:04	0:06:00	64.7	65.3	67.6	65.9
12/6/2023	13:33:04	0:05:00	54	64	67.6	65.8
12/6/2023	13:34:04	0:04:00	61.1	63.9	67.6	65.7
12/6/2023	13:35:04	0:03:00	64.9	64	67.7	65.6
12/6/2023	13:36:04	0:02:00	59.7	62.3	67.7	65.5
12/6/2023	13:37:04	0:01:00	82.2	75.3	72.3	69.6
12/6/2023	13:38:04	0:00:00	56.8	75.3	72.3	69.5

Broadband LOG Results over whole log period

12/6/2023	13:38:04	0:00:00	56.8	75.3	72.3	69.5
-----------	----------	---------	------	------	------	------

Device Info: XL2, SNo. A2A-10088-E0, FW4.88
 Mic Type: NTi Audio M4260, SNo. 5541, Factory adjusted
 Mic
 Sensitivity: 30.9 mV/Pa
 Time Zone: UTC-08:00 (US/Pacific)

Measurement Setup

Profile: Full mode
 Timer mode: single
 Timer set: 0:30:00
 Log-Interval: 0:01:00
 k1: 0.0 dB
 k2: 0.0 dB
 kset Date: k-Values not measured
 Range: 20 - 120 dB

Time

Start: 2023-12-06, 14:55:42
 End: 2023-12-06, 15:25:42

Broadband LOG Results

Date [YYYY-MM-DD]	Time [hh:mm:ss]	Timer [hh:mm:ss]	LAeq1' [dB]	LAeq5' [dB]	LAeq15' [dB]	LAeq30' [dB]
12/6/2023	14:56:42	0:29:00	54	54	54	54
12/6/2023	14:57:42	0:28:00	56.6	55.5	55.5	55.5
12/6/2023	14:58:42	0:27:00	50.6	54.4	54.4	54.4
12/6/2023	14:59:42	0:26:00	56.4	55	55	55
12/6/2023	15:00:42	0:25:00	55.8	55.1	55.1	55.1
12/6/2023	15:01:42	0:24:00	55	55.3	55.1	55.1
12/6/2023	15:02:42	0:23:00	48	54.2	54.6	54.6
12/6/2023	15:03:42	0:22:00	48.3	54	54.2	54.2
12/6/2023	15:04:42	0:21:00	50.4	52.7	53.9	53.9
12/6/2023	15:05:42	0:20:00	53.9	52	53.9	53.9
12/6/2023	15:06:42	0:19:00	51.7	51	53.7	53.7
12/6/2023	15:07:42	0:18:00	50.8	51.4	53.5	53.5
12/6/2023	15:08:42	0:17:00	57	53.5	53.9	53.9
12/6/2023	15:09:42	0:16:00	65.2	59.4	56.7	56.7
12/6/2023	15:10:42	0:15:00	51.3	59.3	56.5	56.5
12/6/2023	15:11:42	0:14:00	55.3	59.5	56.5	56.4
12/6/2023	15:12:42	0:13:00	53.6	59.6	56.4	56.3
12/6/2023	15:13:42	0:12:00	53.9	59.3	56.5	56.2
12/6/2023	15:14:42	0:11:00	49.1	53.1	56.2	56
12/6/2023	15:15:42	0:10:00	52.9	53.4	56.1	55.9
12/6/2023	15:16:42	0:09:00	53.9	53	56.1	55.8
12/6/2023	15:17:42	0:08:00	51.6	52.6	56.1	55.7
12/6/2023	15:18:42	0:07:00	55.7	53.2	56.3	55.7
12/6/2023	15:19:42	0:06:00	55.7	54.2	56.5	55.7
12/6/2023	15:20:42	0:05:00	58.2	55.6	56.8	55.8
12/6/2023	15:21:42	0:04:00	52	55.3	56.8	55.7
12/6/2023	15:22:42	0:03:00	54.1	55.6	56.9	55.7
12/6/2023	15:23:42	0:02:00	61.3	57.5	57.3	56.1
12/6/2023	15:24:42	0:01:00	61.1	58.7	56.1	56.4
12/6/2023	15:25:42	0:00:00	56.7	58.5	56.3	56.4

Broadband LOG Results over whole log period

12/6/2023	15:25:42	0:00:00	56.7	58.5	56.3	56.4
-----------	----------	---------	------	------	------	------

Device Info: XL2, SNo. A2A-10088-E0, FW4.88
 Mic Type: NTi Audio M4260, SNo. 5541, Factory adjusted
 Mic
 Sensitivity: 30.9 mV/Pa
 Time Zone: UTC-08:00 (US/Pacific)

Measurement Setup

Profile: Full mode
 Timer mode: single
 Timer set: 0:30:00
 Log-Interval: 0:01:00
 k1: 0.0 dB
 k2: 0.0 dB
 kset Date: k-Values not measured
 Range: 20 - 120 dB

Time

Start: 2023-12-06, 17:02:48
 End: 2023-12-06, 17:32:48

Broadband LOG Results

Date [YYYY-MM-DD]	Time [hh:mm:ss]	Timer [hh:mm:ss]	LAeq1' [dB]	LAeq5' [dB]	LAeq15' [dB]	LAeq30' [dB]
12/6/2023	17:03:48	0:29:00	61.2	61.2	61.2	61.2
12/6/2023	17:04:48	0:28:00	61.9	61.5	61.5	61.5
12/6/2023	17:05:48	0:27:00	57.3	60.5	60.5	60.5
12/6/2023	17:06:48	0:26:00	52.7	59.5	59.5	59.5
12/6/2023	17:07:48	0:25:00	55.8	59	59	59
12/6/2023	17:08:48	0:24:00	52.5	57.5	58.4	58.4
12/6/2023	17:09:48	0:23:00	55.9	55.2	58.1	58.1
12/6/2023	17:10:48	0:22:00	53.5	54.3	57.7	57.7
12/6/2023	17:11:48	0:21:00	62.9	57.9	58.7	58.7
12/6/2023	17:12:48	0:20:00	49.2	57.5	58.3	58.3
12/6/2023	17:13:48	0:19:00	52.4	57.5	58	58
12/6/2023	17:14:48	0:18:00	53.1	57.2	57.8	57.8
12/6/2023	17:15:48	0:17:00	50.9	57	57.5	57.5
12/6/2023	17:16:48	0:16:00	55.8	52.8	57.4	57.4
12/6/2023	17:17:48	0:15:00	62.2	57	57.9	57.9
12/6/2023	17:18:48	0:14:00	57.5	57.6	57.6	57.9
12/6/2023	17:19:48	0:13:00	54.3	57.7	56.9	57.8
12/6/2023	17:20:48	0:12:00	54.6	58	56.7	57.6
12/6/2023	17:21:48	0:11:00	55.7	58	56.8	57.5
12/6/2023	17:22:48	0:10:00	57.3	56.1	56.9	57.5
12/6/2023	17:23:48	0:09:00	61.7	57.7	57.6	57.9
12/6/2023	17:24:48	0:08:00	54.5	57.7	57.6	57.7
12/6/2023	17:25:48	0:07:00	58.4	58.3	57.8	57.8
12/6/2023	17:26:48	0:06:00	47	57.8	56.8	57.6
12/6/2023	17:27:48	0:05:00	59.5	58.3	57.2	57.7
12/6/2023	17:28:48	0:04:00	55.7	56.6	57.3	57.6
12/6/2023	17:29:48	0:03:00	54	56.5	57.4	57.5
12/6/2023	17:30:48	0:02:00	56.4	56	57.5	57.5
12/6/2023	17:31:48	0:01:00	52.3	56.3	57.4	57.4
12/6/2023	17:32:48	0:00:00	54.7	54.8	56.7	57.3

Broadband LOG Results over whole log period

12/6/2023	17:32:48	0:00:00	54.7	54.8	56.7	57.3
-----------	----------	---------	------	------	------	------

Device Info: XL2, SNo. A2A-10088-E0, FW4.88
 Mic Type: NTi Audio M4260, SNo. 5541, Factory adjusted
 Mic
 Sensitivity: 30.9 mV/Pa
 Time Zone: UTC-08:00 (US/Pacific)

Measurement Setup

Profile: Full mode
 Timer mode: single
 Timer set: 0:30:00
 Log-Interval: 0:01:00
 k1: 0.0 dB
 k2: 0.0 dB
 kset Date: k-Values not measured
 Range: 20 - 120 dB

Time

Start: 2023-12-06, 18:59:50
 End: 2023-12-06, 19:29:50

Broadband LOG Results

Date [YYYY-MM-DD]	Time [hh:mm:ss]	Timer [hh:mm:ss]	LAeq1' [dB]	LAeq5' [dB]	LAeq15' [dB]	LAeq30' [dB]
12/6/2023	19:00:50	0:29:00	55.1	55.1	55.1	55.1
12/6/2023	19:01:50	0:28:00	47.1	52.7	52.7	52.7
12/6/2023	19:02:50	0:27:00	56.5	54.4	54.4	54.4
12/6/2023	19:03:50	0:26:00	46.2	53.3	53.3	53.3
12/6/2023	19:04:50	0:25:00	46	52.6	52.6	52.6
12/6/2023	19:05:50	0:24:00	47.6	51	52	52
12/6/2023	19:06:50	0:23:00	47.2	51.1	51.6	51.6
12/6/2023	19:07:50	0:22:00	59.7	53.5	53.9	53.9
12/6/2023	19:08:50	0:21:00	60.5	56.5	55.3	55.3
12/6/2023	19:09:50	0:20:00	48.6	56.5	55	55
12/6/2023	19:10:50	0:19:00	61.1	58.4	56.1	56.1
12/6/2023	19:11:50	0:18:00	60.9	59.7	56.7	56.7
12/6/2023	19:12:50	0:17:00	48.8	58.8	56.4	56.4
12/6/2023	19:13:50	0:16:00	65.5	60.9	58.2	58.2
12/6/2023	19:14:50	0:15:00	61.2	61.7	58.5	58.5
12/6/2023	19:15:50	0:14:00	57	61.2	58.6	58.4
12/6/2023	19:16:50	0:13:00	49.3	60.4	58.6	58.2
12/6/2023	19:17:50	0:12:00	52.1	60.5	58.4	58
12/6/2023	19:18:50	0:11:00	54.9	56.7	58.6	57.9
12/6/2023	19:19:50	0:10:00	53.4	54.1	58.6	57.7
12/6/2023	19:20:50	0:09:00	53.9	53.1	58.7	57.6
12/6/2023	19:21:50	0:08:00	51.7	53.4	58.7	57.5
12/6/2023	19:22:50	0:07:00	51.4	53.3	58.4	57.3
12/6/2023	19:23:50	0:06:00	53.4	52.9	58	57.2
12/6/2023	19:24:50	0:05:00	52.9	52.8	58.1	57.1
12/6/2023	19:25:50	0:04:00	46.7	51.7	57.5	56.9
12/6/2023	19:26:50	0:03:00	49.6	51.4	56.9	56.8
12/6/2023	19:27:50	0:02:00	52.2	51.6	56.9	56.7
12/6/2023	19:28:50	0:01:00	47.9	50.5	54.1	56.6
12/6/2023	19:29:50	0:00:00	58.9	53.6	53.5	56.7

Broadband LOG Results over whole log period

12/6/2023	19:29:50	0:00:00	58.9	53.6	53.5	56.7
-----------	----------	---------	------	------	------	------

Device Info: XL2, SNo. A2A-10088-E0, FW4.88
 Mic Type: NTi Audio M4260, SNo. 5541, Factory adjusted
 Mic
 Sensitivity: 30.9 mV/Pa
 Time Zone: UTC-08:00 (US/Pacific)

Measurement Setup

Profile: Full mode
 Timer mode: single
 Timer set: 0:30:00
 Log-Interval: 0:01:00
 k1: 0.0 dB
 k2: 0.0 dB
 kset Date: k-Values not measured
 Range: 20 - 120 dB

Time

Start: 2023-12-07, 05:02:18
 End: 2023-12-07, 05:32:18

Broadband LOG Results

Date [YYYY-MM-DD]	Time [hh:mm:ss]	Timer [hh:mm:ss]	LAeq1' [dB]	LAeq5' [dB]	LAeq15' [dB]	LAeq30' [dB]
12/7/2023	5:03:18	0:29:00	58.2	58.2	58.2	58.2
12/7/2023	5:04:18	0:28:00	43.2	55.3	55.3	55.3
12/7/2023	5:05:18	0:27:00	47.3	53.9	53.9	53.9
12/7/2023	5:06:18	0:26:00	46.5	52.9	52.9	52.9
12/7/2023	5:07:18	0:25:00	48.2	52.3	52.3	52.3
12/7/2023	5:08:18	0:24:00	42.1	46.1	51.6	51.6
12/7/2023	5:09:18	0:23:00	40.4	45.9	50.9	50.9
12/7/2023	5:10:18	0:22:00	42.1	44.9	50.4	50.4
12/7/2023	5:11:18	0:21:00	43.7	44.3	50	50
12/7/2023	5:12:18	0:20:00	52.9	47.2	50.4	50.4
12/7/2023	5:13:18	0:19:00	48.6	48	50.3	50.3
12/7/2023	5:14:18	0:18:00	49.1	48.9	50.2	50.2
12/7/2023	5:15:18	0:17:00	49.1	49.6	50.1	50.1
12/7/2023	5:16:18	0:16:00	46.2	49.7	49.9	49.9
12/7/2023	5:17:18	0:15:00	45.8	48	49.8	49.8
12/7/2023	5:18:18	0:14:00	44.8	47.4	47.2	49.6
12/7/2023	5:19:18	0:13:00	51.7	48.3	47.9	49.7
12/7/2023	5:20:18	0:12:00	43.4	47.5	47.7	49.5
12/7/2023	5:21:18	0:11:00	42.7	47.1	47.6	49.4
12/7/2023	5:22:18	0:10:00	46.3	47.2	47.5	49.2
12/7/2023	5:23:18	0:09:00	47.6	47.6	47.7	49.2
12/7/2023	5:24:18	0:08:00	44.5	45.3	47.8	49
12/7/2023	5:25:18	0:07:00	44.4	45.4	47.8	48.9
12/7/2023	5:26:18	0:06:00	56.4	50.7	49.4	49.7
12/7/2023	5:27:18	0:05:00	43.8	50.6	48.8	49.5
12/7/2023	5:28:18	0:04:00	45	50.4	48.7	49.4
12/7/2023	5:29:18	0:03:00	42.8	50.3	48.4	49.3
12/7/2023	5:30:18	0:02:00	41.8	50.2	48.1	49.2
12/7/2023	5:31:18	0:01:00	41.6	43.2	48	49.1
12/7/2023	5:32:18	0:00:00	41.6	42.8	47.9	48.9

Broadband LOG Results over whole log period

12/7/2023	5:32:18	0:00:00	41.6	42.8	47.9	48.9
-----------	---------	---------	------	------	------	------

Device Info: XL2, SNo. A2A-10088-E0, FW4.88
 Mic Type: NTi Audio M4260, SNo. 5541, Factory adjusted
 Mic
 Sensitivity: 30.9 mV/Pa
 Time Zone: UTC-08:00 (US/Pacific)

Measurement Setup

Profile: Full mode
 Timer mode: single
 Timer set: 0:30:00
 Log-Interval: 0:01:00
 k1: 0.0 dB
 k2: 0.0 dB
 kset Date: k-Values not measured
 Range: 20 - 120 dB

Time

Start: 2023-12-07, 07:01:38
 End: 2023-12-07, 07:31:38

Broadband LOG Results

Date [YYYY-MM-DD]	Time [hh:mm:ss]	Timer [hh:mm:ss]	LAeq1' [dB]	LAeq5' [dB]	LAeq15' [dB]	LAeq30' [dB]
12/7/2023	7:02:38	0:29:00	60.9	60.9	60.9	60.9
12/7/2023	7:03:38	0:28:00	55.6	59	59	59
12/7/2023	7:04:38	0:27:00	59	59	59	59
12/7/2023	7:05:38	0:26:00	52.4	58	58	58
12/7/2023	7:06:38	0:25:00	52	57.3	57.3	57.3
12/7/2023	7:07:38	0:24:00	53.8	55.4	56.9	56.9
12/7/2023	7:08:38	0:23:00	59	56.4	57.3	57.3
12/7/2023	7:09:38	0:22:00	56.5	55.6	57.2	57.2
12/7/2023	7:10:38	0:21:00	55.7	56.1	57.1	57.1
12/7/2023	7:11:38	0:20:00	52.8	56.1	56.8	56.8
12/7/2023	7:12:38	0:19:00	56	56.5	56.7	56.7
12/7/2023	7:13:38	0:18:00	52.9	55.1	56.5	56.5
12/7/2023	7:14:38	0:17:00	53.7	54.5	56.3	56.3
12/7/2023	7:15:38	0:16:00	51.2	53.6	56.1	56.1
12/7/2023	7:16:38	0:15:00	49.8	53.2	55.9	55.9
12/7/2023	7:17:38	0:14:00	51.3	52	55	55.7
12/7/2023	7:18:38	0:13:00	53.5	52.1	54.9	55.6
12/7/2023	7:19:38	0:12:00	48.1	51.1	54.1	55.4
12/7/2023	7:20:38	0:11:00	50.9	51.1	54.1	55.2
12/7/2023	7:21:38	0:10:00	58.2	53.8	54.6	55.5
12/7/2023	7:22:38	0:09:00	49.5	53.6	54.4	55.3
12/7/2023	7:23:38	0:08:00	62.2	57.1	55.2	56
12/7/2023	7:24:38	0:07:00	58.5	58.1	55.5	56.1
12/7/2023	7:25:38	0:06:00	52	58.2	55.3	56
12/7/2023	7:26:38	0:05:00	59.6	58.5	55.9	56.2
12/7/2023	7:27:38	0:04:00	49.1	58.5	55.6	56.1
12/7/2023	7:28:38	0:03:00	56	56.5	55.8	56.1
12/7/2023	7:29:38	0:02:00	80.3	73.4	68.8	66.3
12/7/2023	7:30:38	0:01:00	78.4	75.5	70.9	68.1
12/7/2023	7:31:38	0:00:00	52.2	75.5	70.9	68

Broadband LOG Results over whole log period

12/7/2023	7:31:38	0:00:00	52.2	75.5	70.9	68
-----------	---------	---------	------	------	------	----

Device Info: XL2, SNo. A2A-10088-E0, FW4.88
 Mic Type: NTi Audio M4260, SNo. 5541, Factory adjusted
 Mic
 Sensitivity: 30.9 mV/Pa
 Time Zone: UTC-08:00 (US/Pacific)

Measurement Setup

Profile: Full mode
 Timer mode: single
 Timer set: 0:30:00
 Log-Interval: 0:01:00
 k1: 0.0 dB
 k2: 0.0 dB
 kset Date: k-Values not measured
 Range: 20 - 120 dB

Time

Start: 2023-12-07, 09:00:10
 End: 2023-12-07, 09:30:10

Broadband LOG Results

Date [YYYY-MM-DD]	Time [hh:mm:ss]	Timer [hh:mm:ss]	LAeq1' [dB]	LAeq5' [dB]	LAeq15' [dB]	LAeq30' [dB]
12/7/2023	9:01:10	0:29:00	48.2	48.2	48.2	48.2
12/7/2023	9:02:10	0:28:00	54.9	52.7	52.7	52.7
12/7/2023	9:03:10	0:27:00	62.4	58.5	58.5	58.5
12/7/2023	9:04:10	0:26:00	57	58.1	58.1	58.1
12/7/2023	9:05:10	0:25:00	62.2	59.3	59.3	59.3
12/7/2023	9:06:10	0:24:00	61.1	60.4	59.6	59.6
12/7/2023	9:07:10	0:23:00	54.7	60.4	59.2	59.2
12/7/2023	9:08:10	0:22:00	53.2	59	58.8	58.8
12/7/2023	9:09:10	0:21:00	56.6	58.9	58.6	58.6
12/7/2023	9:10:10	0:20:00	50.9	56.8	58.2	58.2
12/7/2023	9:11:10	0:19:00	54.6	54.4	58	58
12/7/2023	9:12:10	0:18:00	61.4	56.9	58.4	58.4
12/7/2023	9:13:10	0:17:00	60.6	58.3	58.6	58.6
12/7/2023	9:14:10	0:16:00	61.1	59.3	58.8	58.8
12/7/2023	9:15:10	0:15:00	60.5	60.2	59	59
12/7/2023	9:16:10	0:14:00	47.2	60	59	58.7
12/7/2023	9:17:10	0:13:00	58.1	59.3	59.1	58.7
12/7/2023	9:18:10	0:12:00	61.2	59.5	58.9	58.9
12/7/2023	9:19:10	0:11:00	49.2	58.1	58.8	58.7
12/7/2023	9:20:10	0:10:00	59	57.6	58.4	58.7
12/7/2023	9:21:10	0:09:00	52.1	57.8	58	58.5
12/7/2023	9:22:10	0:08:00	47.7	56.8	57.8	58.3
12/7/2023	9:23:10	0:07:00	54.3	54.4	57.9	58.2
12/7/2023	9:24:10	0:06:00	61.2	57.2	58.3	58.4
12/7/2023	9:25:10	0:05:00	60.5	57.7	58.7	58.5
12/7/2023	9:26:10	0:04:00	56.6	58.1	58.8	58.4
12/7/2023	9:27:10	0:03:00	53.4	58.3	58.3	58.3
12/7/2023	9:28:10	0:02:00	48.8	58.1	57.8	58.2
12/7/2023	9:29:10	0:01:00	57.3	56.9	57.4	58.2
12/7/2023	9:30:10	0:00:00	57.2	55.6	57.1	58.1

Broadband LOG Results over whole log period

12/7/2023	9:30:10	0:00:00	57.2	55.6	57.1	58.1
-----------	---------	---------	------	------	------	------

Device Info: XL2, SNo. A2A-10088-E0, FW4.88
 Mic Type: NTi Audio M4260, SNo. 5541, Factory adjusted
 Mic
 Sensitivity: 30.9 mV/Pa
 Time Zone: UTC-08:00 (US/Pacific)

Measurement Setup

Profile: Full mode
 Timer mode: single
 Timer set: 0:30:00
 Log-Interval: 0:01:00
 k1: 0.0 dB
 k2: 0.0 dB
 kset Date: k-Values not measured
 Range: 20 - 120 dB

Time

Start: 2023-12-07, 11:00:18
 End: 2023-12-07, 11:30:18

Broadband LOG Results

Date [YYYY-MM-DD]	Time [hh:mm:ss]	Timer [hh:mm:ss]	LAeq1' [dB]	LAeq5' [dB]	LAeq15' [dB]	LAeq30' [dB]
12/7/2023	11:01:18	0:29:00	49.1	49.1	49.1	49.1
12/7/2023	11:02:18	0:28:00	48.9	49	49	49
12/7/2023	11:03:18	0:27:00	47.4	48.5	48.5	48.5
12/7/2023	11:04:18	0:26:00	46.6	48.1	48.1	48.1
12/7/2023	11:05:18	0:25:00	45.3	47.7	47.7	47.7
12/7/2023	11:06:18	0:24:00	46.8	47.2	47.5	47.5
12/7/2023	11:07:18	0:23:00	47.1	46.7	47.5	47.5
12/7/2023	11:08:18	0:22:00	46.1	46.4	47.3	47.3
12/7/2023	11:09:18	0:21:00	48.7	47	47.5	47.5
12/7/2023	11:10:18	0:20:00	55.1	50.3	49.2	49.2
12/7/2023	11:11:18	0:19:00	54	51.7	49.9	49.9
12/7/2023	11:12:18	0:18:00	48.3	51.8	49.8	49.8
12/7/2023	11:13:18	0:17:00	47.6	51.9	49.7	49.7
12/7/2023	11:14:18	0:16:00	50.6	52.1	49.8	49.8
12/7/2023	11:15:18	0:15:00	50.2	50.8	49.8	49.8
12/7/2023	11:16:18	0:14:00	50.9	49.7	49.9	49.9
12/7/2023	11:17:18	0:13:00	51.6	50.4	50.1	50
12/7/2023	11:18:18	0:12:00	56.4	52.7	51.1	50.7
12/7/2023	11:19:18	0:11:00	59.1	55.1	52.5	51.9
12/7/2023	11:20:18	0:10:00	57.1	56.1	53.2	52.4
12/7/2023	11:21:18	0:09:00	55.2	56.5	53.6	52.6
12/7/2023	11:22:18	0:08:00	57.2	57.2	54.2	52.9
12/7/2023	11:23:18	0:07:00	54.8	57	54.5	53
12/7/2023	11:24:18	0:06:00	52.7	55.7	54.6	53
12/7/2023	11:25:18	0:05:00	56	55.4	54.6	53.2
12/7/2023	11:26:18	0:04:00	51.8	54.9	54.5	53.1
12/7/2023	11:27:18	0:03:00	56.5	54.7	54.9	53.3
12/7/2023	11:28:18	0:02:00	52.6	54.4	55	53.3
12/7/2023	11:29:18	0:01:00	49.1	54	55	53.2
12/7/2023	11:30:18	0:00:00	48	52.7	55	53.1

Broadband LOG Results over whole log period

12/7/2023	11:30:18	0:00:00	48	52.7	55	53.1
-----------	----------	---------	----	------	----	------

Device Info: XL2, SNo. A2A-10088-E0, FW4.88
 Mic Type: NTi Audio M4260, SNo. 5541, Factory adjusted
 Mic
 Sensitivity: 30.9 mV/Pa
 Time Zone: UTC-08:00 (US/Pacific)

Measurement Setup

Profile: Full mode
 Timer mode: single
 Timer set: 0:30:00
 Log-Interval: 0:01:00
 k1: 0.0 dB
 k2: 0.0 dB
 kset Date: k-Values not measured
 Range: 20 - 120 dB

Time

Start: 2023-12-07, 13:03:42
 End: 2023-12-07, 13:33:42

Broadband LOG Results

Date [YYYY-MM-DD]	Time [hh:mm:ss]	Timer [hh:mm:ss]	LAeq1' [dB]	LAeq5' [dB]	LAeq15' [dB]	LAeq30' [dB]
12/7/2023	13:04:42	0:29:00	52.3	52.3	52.3	52.3
12/7/2023	13:05:42	0:28:00	53.2	52.7	52.7	52.7
12/7/2023	13:06:42	0:27:00	47.9	51.6	51.6	51.6
12/7/2023	13:07:42	0:26:00	47.3	50.9	50.9	50.9
12/7/2023	13:08:42	0:25:00	56.2	52.6	52.6	52.6
12/7/2023	13:09:42	0:24:00	48.9	52.1	52.2	52.2
12/7/2023	13:10:42	0:23:00	47.5	51.3	51.7	51.7
12/7/2023	13:11:42	0:22:00	56.5	53.2	52.7	52.7
12/7/2023	13:12:42	0:21:00	58.2	55.2	53.8	53.8
12/7/2023	13:13:42	0:20:00	55.9	55.1	54	54
12/7/2023	13:14:42	0:19:00	48.8	55.1	53.8	53.8
12/7/2023	13:15:42	0:18:00	49.2	55.2	53.5	53.5
12/7/2023	13:16:42	0:17:00	47.3	54	53.3	53.3
12/7/2023	13:17:42	0:16:00	51.7	51.8	53.2	53.2
12/7/2023	13:18:42	0:15:00	49.9	49.6	53	53
12/7/2023	13:19:42	0:14:00	50.2	49.9	52.9	52.9
12/7/2023	13:20:42	0:13:00	51	50.2	52.8	52.8
12/7/2023	13:21:42	0:12:00	54.3	51.7	53.1	52.9
12/7/2023	13:22:42	0:11:00	55.1	52.6	53.5	53
12/7/2023	13:23:42	0:10:00	47.9	52.5	53	52.9
12/7/2023	13:24:42	0:09:00	47.6	52.2	52.9	52.7
12/7/2023	13:25:42	0:08:00	52.8	52.5	53.1	52.7
12/7/2023	13:26:42	0:07:00	48.5	51.5	52.6	52.6
12/7/2023	13:27:42	0:06:00	46.5	49.3	51.4	52.5
12/7/2023	13:28:42	0:05:00	50.2	49.7	50.8	52.4
12/7/2023	13:29:42	0:04:00	46.6	49.6	50.7	52.3
12/7/2023	13:30:42	0:03:00	54.4	50.3	51.2	52.4
12/7/2023	13:31:42	0:02:00	50.5	50.7	51.3	52.3
12/7/2023	13:32:42	0:01:00	53.9	52	51.5	52.4
12/7/2023	13:33:42	0:00:00	47.7	51.7	51.4	52.3

Broadband LOG Results over whole log period

12/7/2023	13:33:42	0:00:00	47.7	51.7	51.4	52.3
-----------	----------	---------	------	------	------	------

Device Info: XL2, SNo. A2A-10088-E0, FW4.88
 Mic Type: NTi Audio M4260, SNo. 5541, Factory adjusted
 Mic
 Sensitivity: 30.9 mV/Pa
 Time Zone: UTC-08:00 (US/Pacific)

Measurement Setup

Profile: Full mode
 Timer mode: single
 Timer set: 0:30:00
 Log-Interval: 0:01:00
 k1: 0.0 dB
 k2: 0.0 dB
 kset Date: k-Values not measured
 Range: 20 - 120 dB

Time

Start: 2023-12-07, 15:00:08
 End: 2023-12-07, 15:30:08

Broadband LOG Results

Date [YYYY-MM-DD]	Time [hh:mm:ss]	Timer [hh:mm:ss]	LAeq1' [dB]	LAeq5' [dB]	LAeq15' [dB]	LAeq30' [dB]
12/7/2023	15:01:08	0:29:00	48.9	48.9	48.9	48.9
12/7/2023	15:02:08	0:28:00	49.8	49.4	49.4	49.4
12/7/2023	15:03:08	0:27:00	47.5	48.8	48.8	48.8
12/7/2023	15:04:08	0:26:00	52.2	49.9	49.9	49.9
12/7/2023	15:05:08	0:25:00	50	49.9	49.9	49.9
12/7/2023	15:06:08	0:24:00	59.9	54.5	53.9	53.9
12/7/2023	15:07:08	0:23:00	54.4	55	54	54
12/7/2023	15:08:08	0:22:00	52.4	55.3	53.8	53.8
12/7/2023	15:09:08	0:21:00	50.5	55.2	53.5	53.5
12/7/2023	15:10:08	0:20:00	52.8	55.4	53.5	53.5
12/7/2023	15:11:08	0:19:00	47.4	52.1	53.2	53.2
12/7/2023	15:12:08	0:18:00	50	51	53	53
12/7/2023	15:13:08	0:17:00	59.4	54.2	54	54
12/7/2023	15:14:08	0:16:00	51.4	54.3	53.8	53.8
12/7/2023	15:15:08	0:15:00	52.2	54.2	53.7	53.7
12/7/2023	15:16:08	0:14:00	48.5	54.3	53.7	53.5
12/7/2023	15:17:08	0:13:00	53.6	54.7	53.9	53.5
12/7/2023	15:18:08	0:12:00	52.4	52	54	53.5
12/7/2023	15:19:08	0:11:00	52.9	52.2	54.1	53.5
12/7/2023	15:20:08	0:10:00	53	52.4	54.2	53.4
12/7/2023	15:21:08	0:09:00	49.1	52.5	53.1	53.3
12/7/2023	15:22:08	0:08:00	48.8	51.6	52.8	53.2
12/7/2023	15:23:08	0:07:00	53.7	51.9	52.8	53.2
12/7/2023	15:24:08	0:06:00	51.9	51.7	52.9	53.2
12/7/2023	15:25:08	0:05:00	48.3	50.9	52.7	53
12/7/2023	15:26:08	0:04:00	46.2	50.6	52.7	52.9
12/7/2023	15:27:08	0:03:00	52	51.2	52.8	52.9
12/7/2023	15:28:08	0:02:00	53.6	51.1	51.7	52.9
12/7/2023	15:29:08	0:01:00	52.6	51.3	51.8	52.9
12/7/2023	15:30:08	0:00:00	54.9	52.7	52	53

Broadband LOG Results over whole log period

12/7/2023	15:30:08	0:00:00	54.9	52.7	52	53
-----------	----------	---------	------	------	----	----

Device Info: XL2, SNo. A2A-10088-E0, FW4.88
 Mic Type: NTi Audio M4260, SNo. 5541, Factory adjusted
 Mic
 Sensitivity: 30.9 mV/Pa
 Time Zone: UTC-08:00 (US/Pacific)

Measurement Setup

Profile: Full mode
 Timer mode: single
 Timer set: 0:30:00
 Log-Interval: 0:01:00
 k1: 0.0 dB
 k2: 0.0 dB
 kset Date: k-Values not measured
 Range: 20 - 120 dB

Time

Start: 2023-12-07, 17:00:50
 End: 2023-12-07, 17:30:50

Broadband LOG Results

Date [YYYY-MM-DD]	Time [hh:mm:ss]	Timer [hh:mm:ss]	LAeq1' [dB]	LAeq5' [dB]	LAeq15' [dB]	LAeq30' [dB]
12/7/2023	17:01:50	0:29:00	51.7	51.7	51.7	51.7
12/7/2023	17:02:50	0:28:00	53.4	52.7	52.7	52.7
12/7/2023	17:03:50	0:27:00	54.7	53.5	53.5	53.5
12/7/2023	17:04:50	0:26:00	47.3	52.6	52.6	52.6
12/7/2023	17:05:50	0:25:00	50.5	52.2	52.2	52.2
12/7/2023	17:06:50	0:24:00	50.2	52	51.9	51.9
12/7/2023	17:07:50	0:23:00	48.1	51	51.6	51.6
12/7/2023	17:08:50	0:22:00	51.9	49.9	51.6	51.6
12/7/2023	17:09:50	0:21:00	50.9	50.5	51.5	51.5
12/7/2023	17:10:50	0:20:00	50.1	50.4	51.4	51.4
12/7/2023	17:11:50	0:19:00	55.3	51.9	51.9	51.9
12/7/2023	17:12:50	0:18:00	50.7	52.2	51.9	51.9
12/7/2023	17:13:50	0:17:00	54.6	52.9	52.1	52.1
12/7/2023	17:14:50	0:16:00	46.8	52.5	51.9	51.9
12/7/2023	17:15:50	0:15:00	57.1	54.2	52.5	52.5
12/7/2023	17:16:50	0:14:00	49.3	53.2	52.4	52.4
12/7/2023	17:17:50	0:13:00	46.7	52.9	52.1	52.2
12/7/2023	17:18:50	0:12:00	50.7	52.1	51.8	52.1
12/7/2023	17:19:50	0:11:00	48.2	52.2	51.8	52
12/7/2023	17:20:50	0:10:00	48.7	48.9	51.7	51.9
12/7/2023	17:21:50	0:09:00	51.9	49.7	51.8	51.9
12/7/2023	17:22:50	0:08:00	49.2	50	51.9	51.8
12/7/2023	17:23:50	0:07:00	48.4	49.5	51.7	51.7
12/7/2023	17:24:50	0:06:00	58.4	53.3	52.7	52.3
12/7/2023	17:25:50	0:05:00	49.2	53.4	52.7	52.2
12/7/2023	17:26:50	0:04:00	56.6	54.4	52.9	52.5
12/7/2023	17:27:50	0:03:00	46	54.3	52.7	52.4
12/7/2023	17:28:50	0:02:00	50.9	54.4	52.5	52.3
12/7/2023	17:29:50	0:01:00	52.4	52.4	52.7	52.3
12/7/2023	17:30:50	0:00:00	49.1	52.4	51.9	52.2

Broadband LOG Results over whole log period

12/7/2023	17:30:50	0:00:00	49.1	52.4	51.9	52.2
-----------	----------	---------	------	------	------	------

Device Info: XL2, SNo. A2A-10088-E0, FW4.88
 Mic Type: NTi Audio M4260, SNo. 5541, Factory adjusted
 Mic
 Sensitivity: 30.9 mV/Pa
 Time Zone: UTC-08:00 (US/Pacific)

Measurement Setup

Profile: Full mode
 Timer mode: single
 Timer set: 0:30:00
 Log-Interval: 0:01:00
 k1: 0.0 dB
 k2: 0.0 dB
 kset Date: k-Values not measured
 Range: 20 - 120 dB

Time

Start: 2023-12-07, 19:02:30
 End: 2023-12-07, 19:32:30

Broadband LOG Results

Date [YYYY-MM-DD]	Time [hh:mm:ss]	Timer [hh:mm:ss]	LAeq1' [dB]	LAeq5' [dB]	LAeq15' [dB]	LAeq30' [dB]
12/7/2023	19:03:30	0:29:00	58.4	58.4	58.4	58.4
12/7/2023	19:04:30	0:28:00	59	58.7	58.7	58.7
12/7/2023	19:05:30	0:27:00	54.9	57.8	57.8	57.8
12/7/2023	19:06:30	0:26:00	48	56.7	56.7	56.7
12/7/2023	19:07:30	0:25:00	49.3	55.9	55.9	55.9
12/7/2023	19:08:30	0:24:00	51.9	54.5	55.4	55.4
12/7/2023	19:09:30	0:23:00	55.3	52.8	55.4	55.4
12/7/2023	19:10:30	0:22:00	47.3	51.5	54.9	54.9
12/7/2023	19:11:30	0:21:00	56.8	53.5	55.2	55.2
12/7/2023	19:12:30	0:20:00	55.4	54.4	55.2	55.2
12/7/2023	19:13:30	0:19:00	47.9	54.1	54.9	54.9
12/7/2023	19:14:30	0:18:00	46.7	52.9	54.6	54.6
12/7/2023	19:15:30	0:17:00	48.4	53	54.3	54.3
12/7/2023	19:16:30	0:16:00	47.5	50.6	54	54
12/7/2023	19:17:30	0:15:00	48	47.8	53.8	53.8
12/7/2023	19:18:30	0:14:00	54.6	50.2	53.3	53.9
12/7/2023	19:19:30	0:13:00	57.2	53	52.9	54.2
12/7/2023	19:20:30	0:12:00	53.7	53.7	52.8	54.1
12/7/2023	19:21:30	0:11:00	53.7	54.3	53.1	54.1
12/7/2023	19:22:30	0:10:00	52.8	54.7	53.2	54.1
12/7/2023	19:23:30	0:09:00	49.5	54	53.1	53.9
12/7/2023	19:24:30	0:08:00	51.1	52.5	52.8	53.8
12/7/2023	19:25:30	0:07:00	52.4	52.1	53	53.8
12/7/2023	19:26:30	0:06:00	55.4	52.7	52.8	53.9
12/7/2023	19:27:30	0:05:00	54.7	53.2	52.7	53.9
12/7/2023	19:28:30	0:04:00	53.5	53.7	53	53.9
12/7/2023	19:29:30	0:03:00	56	54.6	53.4	54
12/7/2023	19:30:30	0:02:00	57.6	55.6	54.1	54.2
12/7/2023	19:31:30	0:01:00	51.3	55.1	54.1	54.1
12/7/2023	19:32:30	0:00:00	46.6	54.4	54.1	54

Broadband LOG Results over whole log period

12/7/2023	19:32:30	0:00:00	46.6	54.4	54.1	54
-----------	----------	---------	------	------	------	----

Device Info: XL2, SNo. A2A-10088-E0, FW4.88
 Mic Type: NTi Audio M4260, SNo. 5541, Factory adjusted
 Mic
 Sensitivity: 30.9 mV/Pa
 Time Zone: UTC-08:00 (US/Pacific)

Measurement Setup

Profile: Full mode
 Timer mode: single
 Timer set: 0:30:00
 Log-Interval: 0:01:00
 k1: 0.0 dB
 k2: 0.0 dB
 kset Date: k-Values not measured
 Range: 20 - 120 dB

Time

Start: 2023-12-08, 05:12:30
 End: 2023-12-08, 05:42:30

Broadband LOG Results

Date [YYYY-MM-DD]	Time [hh:mm:ss]	Timer [hh:mm:ss]	LAeq1' [dB]	LAeq5' [dB]	LAeq15' [dB]	LAeq30' [dB]
12/8/2023	5:13:30	0:29:00	56.5	56.5	56.5	56.5
12/8/2023	5:14:30	0:28:00	55.8	56.2	56.2	56.2
12/8/2023	5:15:30	0:27:00	47.9	54.7	54.7	54.7
12/8/2023	5:16:30	0:26:00	56.7	55.3	55.3	55.3
12/8/2023	5:17:30	0:25:00	47.2	54.5	54.5	54.5
12/8/2023	5:18:30	0:24:00	43.6	52.9	53.8	53.8
12/8/2023	5:19:30	0:23:00	43.5	51	53.2	53.2
12/8/2023	5:20:30	0:22:00	45.5	50.8	52.7	52.7
12/8/2023	5:21:30	0:21:00	47.2	45.7	52.3	52.3
12/8/2023	5:22:30	0:20:00	44.4	45.1	51.9	51.9
12/8/2023	5:23:30	0:19:00	54.5	49.2	52.3	52.3
12/8/2023	5:24:30	0:18:00	45.8	49.4	52	52
12/8/2023	5:25:30	0:17:00	45.8	49.4	51.7	51.7
12/8/2023	5:26:30	0:16:00	46.6	49.3	51.5	51.5
12/8/2023	5:27:30	0:15:00	46.6	49.5	51.3	51.3
12/8/2023	5:28:30	0:14:00	45	46	50.3	51.1
12/8/2023	5:29:30	0:13:00	49.5	47	49.4	51
12/8/2023	5:30:30	0:12:00	48	47.4	49.4	50.9
12/8/2023	5:31:30	0:11:00	47.3	47.5	47.8	50.7
12/8/2023	5:32:30	0:10:00	45.5	47.4	47.7	50.6
12/8/2023	5:33:30	0:09:00	46.1	47.5	47.8	50.4
12/8/2023	5:34:30	0:08:00	46.4	46.7	47.9	50.3
12/8/2023	5:35:30	0:07:00	46.6	46.4	47.9	50.2
12/8/2023	5:36:30	0:06:00	47	46.4	47.9	50.1
12/8/2023	5:37:30	0:05:00	46.4	46.5	48	50
12/8/2023	5:38:30	0:04:00	47.5	46.8	46.8	49.9
12/8/2023	5:39:30	0:03:00	47.2	47	46.9	49.9
12/8/2023	5:40:30	0:02:00	52.7	48.9	47.7	50
12/8/2023	5:41:30	0:01:00	49	49.2	47.9	50
12/8/2023	5:42:30	0:00:00	49.6	49.7	48.1	50

Broadband LOG Results over whole log period

12/8/2023	5:42:30	0:00:00	49.6	49.7	48.1	50
-----------	---------	---------	------	------	------	----

Device Info: XL2, SNo. A2A-10088-E0, FW4.88
 Mic Type: NTi Audio M4260, SNo. 5541, Factory adjusted
 Mic
 Sensitivity: 30.9 mV/Pa
 Time Zone: UTC-08:00 (US/Pacific)

Measurement Setup

Profile: Full mode
 Timer mode: single
 Timer set: 0:30:00
 Log-Interval: 0:01:00
 k1: 0.0 dB
 k2: 0.0 dB
 kset Date: k-Values not measured
 Range: 20 - 120 dB

Time

Start: 2023-12-08, 07:00:36
 End: 2023-12-08, 07:30:36

Broadband LOG Results

Date [YYYY-MM-DD]	Time [hh:mm:ss]	Timer [hh:mm:ss]	LAeq1' [dB]	LAeq5' [dB]	LAeq15' [dB]	LAeq30' [dB]
12/8/2023	7:01:36	0:29:00	64	64	64	64
12/8/2023	7:02:36	0:28:00	57.7	61.9	61.9	61.9
12/8/2023	7:03:36	0:27:00	58.9	61.2	61.2	61.2
12/8/2023	7:04:36	0:26:00	57.2	60.5	60.5	60.5
12/8/2023	7:05:36	0:25:00	58.2	60.1	60.1	60.1
12/8/2023	7:06:36	0:24:00	53.7	57.5	59.5	59.5
12/8/2023	7:07:36	0:23:00	58.6	57.7	59.4	59.4
12/8/2023	7:08:36	0:22:00	52.7	56.7	58.9	58.9
12/8/2023	7:09:36	0:21:00	53.9	56.1	58.6	58.6
12/8/2023	7:10:36	0:20:00	53.9	55.1	58.3	58.3
12/8/2023	7:11:36	0:19:00	54.3	55.2	58	58
12/8/2023	7:12:36	0:18:00	55.5	54.2	57.9	57.9
12/8/2023	7:13:36	0:17:00	57.7	55.3	57.9	57.9
12/8/2023	7:14:36	0:16:00	55.6	55.6	57.7	57.7
12/8/2023	7:15:36	0:15:00	59.8	57	57.9	57.9
12/8/2023	7:16:36	0:14:00	54.8	57.1	56.7	57.8
12/8/2023	7:17:36	0:13:00	49.7	56.6	56.4	57.5
12/8/2023	7:18:36	0:12:00	55.5	56.2	56.1	57.5
12/8/2023	7:19:36	0:11:00	50.5	55.6	55.8	57.3
12/8/2023	7:20:36	0:10:00	55.5	53.9	55.6	57.2
12/8/2023	7:21:36	0:09:00	52.7	53.4	55.5	57.1
12/8/2023	7:22:36	0:08:00	50.3	53.5	55	56.9
12/8/2023	7:23:36	0:07:00	55.9	53.6	55.2	56.9
12/8/2023	7:24:36	0:06:00	54	54.1	55.2	56.8
12/8/2023	7:25:36	0:05:00	63.3	57.9	56.6	57.3
12/8/2023	7:26:36	0:04:00	59	58.7	56.9	57.4
12/8/2023	7:27:36	0:03:00	54	58.8	56.8	57.3
12/8/2023	7:28:36	0:02:00	58.2	59.1	56.9	57.4
12/8/2023	7:29:36	0:01:00	58.1	59.5	57.1	57.4
12/8/2023	7:30:36	0:00:00	71	64.8	61.1	59.8

Broadband LOG Results over whole log period

12/8/2023	7:30:36	0:00:00	71	64.8	61.1	59.8
-----------	---------	---------	----	------	------	------

Device Info: XL2, SNo. A2A-10088-E0, FW4.88
 Mic Type: NTi Audio M4260, SNo. 5541, Factory adjusted
 Mic
 Sensitivity: 30.9 mV/Pa
 Time Zone: UTC-08:00 (US/Pacific)

Measurement Setup

Profile: Full mode
 Timer mode: single
 Timer set: 0:30:00
 Log-Interval: 0:01:00
 k1: 0.0 dB
 k2: 0.0 dB
 kset Date: k-Values not measured
 Range: 20 - 120 dB

Time

Start: 2023-12-08, 08:21:24
 End: 2023-12-08, 08:51:24

Broadband LOG Results

Date [YYYY-MM-DD]	Time [hh:mm:ss]	Timer [hh:mm:ss]	LAeq1' [dB]	LAeq5' [dB]	LAeq15' [dB]	LAeq30' [dB]
12/8/2023	8:22:24	0:29:00	49.9	49.9	49.9	49.9
12/8/2023	8:23:24	0:28:00	50.6	50.3	50.3	50.3
12/8/2023	8:24:24	0:27:00	48.5	49.8	49.8	49.8
12/8/2023	8:25:24	0:26:00	50.7	50	50	50
12/8/2023	8:26:24	0:25:00	48.6	49.8	49.8	49.8
12/8/2023	8:27:24	0:24:00	52.2	50.3	50.3	50.3
12/8/2023	8:28:24	0:23:00	53.4	51.1	50.9	50.9
12/8/2023	8:29:24	0:22:00	52.7	51.8	51.1	51.1
12/8/2023	8:30:24	0:21:00	55.2	52.9	51.8	51.8
12/8/2023	8:31:24	0:20:00	56.6	54.3	52.6	52.6
12/8/2023	8:32:24	0:19:00	55.9	55	53.1	53.1
12/8/2023	8:33:24	0:18:00	56.3	55.6	53.4	53.4
12/8/2023	8:34:24	0:17:00	56.9	56.2	53.8	53.8
12/8/2023	8:35:24	0:16:00	50.1	55.7	53.7	53.7
12/8/2023	8:36:24	0:15:00	52.8	55.1	53.6	53.6
12/8/2023	8:37:24	0:14:00	50.7	54.3	53.6	53.5
12/8/2023	8:38:24	0:13:00	49.8	53	53.6	53.3
12/8/2023	8:39:24	0:12:00	56.4	52.7	54	53.6
12/8/2023	8:40:24	0:11:00	49.5	52.7	54	53.4
12/8/2023	8:41:24	0:10:00	47	52	54	53.2
12/8/2023	8:42:24	0:09:00	51.2	52	53.9	53.2
12/8/2023	8:43:24	0:08:00	50.4	52.1	53.8	53.1
12/8/2023	8:44:24	0:07:00	50.4	49.9	53.7	53
12/8/2023	8:45:24	0:06:00	51	50.2	53.5	52.9
12/8/2023	8:46:24	0:05:00	54.8	51.9	53.2	53
12/8/2023	8:47:24	0:04:00	57.3	53.7	53.4	53.3
12/8/2023	8:48:24	0:03:00	47.4	53.5	52.9	53.2
12/8/2023	8:49:24	0:02:00	49.2	53.4	52.3	53.1
12/8/2023	8:50:24	0:01:00	47.3	53.1	52.2	53
12/8/2023	8:51:24	0:00:00	50.9	52.3	52.1	52.9

Broadband LOG Results over whole log period

12/8/2023	8:51:24	0:00:00	50.9	52.3	52.1	52.9
-----------	---------	---------	------	------	------	------

Device Info: XL2, SNo. A2A-10088-E0, FW4.88
 Mic Type: NTi Audio M4260, SNo. 5541, Factory adjusted
 Mic
 Sensitivity: 30.9 mV/Pa
 Time Zone: UTC-08:00 (US/Pacific)

Measurement Setup

Profile: Full mode
 Timer mode: single
 Timer set: 0:30:00
 Log-Interval: 0:01:00
 k1: 0.0 dB
 k2: 0.0 dB
 kset Date: k-Values not measured
 Range: 20 - 120 dB

Time

Start: 2023-12-08, 11:27:34
 End: 2023-12-08, 11:57:34

Broadband LOG Results

Date [YYYY-MM-DD]	Time [hh:mm:ss]	Timer [hh:mm:ss]	LAeq1' [dB]	LAeq5' [dB]	LAeq15' [dB]	LAeq30' [dB]
12/8/2023	11:28:34	0:29:00	51.8	51.8	51.8	51.8
12/8/2023	11:29:34	0:28:00	52.1	52	52	52
12/8/2023	11:30:34	0:27:00	57.3	54.5	54.5	54.5
12/8/2023	11:31:34	0:26:00	51.8	54	54	54
12/8/2023	11:32:34	0:25:00	52.2	53.7	53.7	53.7
12/8/2023	11:33:34	0:24:00	46.6	53.3	53.1	53.1
12/8/2023	11:34:34	0:23:00	48.6	52.9	52.7	52.7
12/8/2023	11:35:34	0:22:00	49.8	50.3	52.4	52.4
12/8/2023	11:36:34	0:21:00	52.2	50.4	52.4	52.4
12/8/2023	11:37:34	0:20:00	52.5	50.5	52.4	52.4
12/8/2023	11:38:34	0:19:00	52.1	51.3	52.4	52.4
12/8/2023	11:39:34	0:18:00	50.2	51.5	52.2	52.2
12/8/2023	11:40:34	0:17:00	55.1	52.7	52.5	52.5
12/8/2023	11:41:34	0:16:00	50.7	52.5	52.4	52.4
12/8/2023	11:42:34	0:15:00	47.7	51.9	52.2	52.2
12/8/2023	11:43:34	0:14:00	50.4	51.6	52.1	52.1
12/8/2023	11:44:34	0:13:00	52.2	51.9	52.1	52.1
12/8/2023	11:45:34	0:12:00	50.7	50.6	51.3	52.1
12/8/2023	11:46:34	0:11:00	51.4	50.7	51.3	52
12/8/2023	11:47:34	0:10:00	50.5	51.1	51.2	52
12/8/2023	11:48:34	0:09:00	50.8	51.2	51.3	51.9
12/8/2023	11:49:34	0:08:00	50.5	50.8	51.4	51.9
12/8/2023	11:50:34	0:07:00	48.7	50.5	51.4	51.8
12/8/2023	11:51:34	0:06:00	60.6	55	53.1	52.8
12/8/2023	11:52:34	0:05:00	48.5	54.9	52.9	52.7
12/8/2023	11:53:34	0:04:00	52.1	55	52.9	52.7
12/8/2023	11:54:34	0:03:00	50.5	55	52.9	52.6
12/8/2023	11:55:34	0:02:00	53.2	55.3	52.8	52.7
12/8/2023	11:56:34	0:01:00	46.7	50.8	52.7	52.5
12/8/2023	11:57:34	0:00:00	48.6	50.8	52.7	52.5

Broadband LOG Results over whole log period

12/8/2023	11:57:34	0:00:00	48.6	50.8	52.7	52.5
-----------	----------	---------	------	------	------	------

Device Info: XL2, SNo. A2A-10088-E0, FW4.88
 Mic Type: NTi Audio M4260, SNo. 5541, Factory adjusted
 Mic
 Sensitivity: 30.9 mV/Pa
 Time Zone: UTC-08:00 (US/Pacific)

Measurement Setup

Profile: Full mode
 Timer mode: single
 Timer set: 0:30:00
 Log-Interval: 0:01:00
 k1: 0.0 dB
 k2: 0.0 dB
 kset Date: k-Values not measured
 Range: 20 - 120 dB

Time

Start: 2023-12-08, 12:35:10
 End: 2023-12-08, 13:05:10

Broadband LOG Results

Date [YYYY-MM-DD]	Time [hh:mm:ss]	Timer [hh:mm:ss]	LAeq1' [dB]	LAeq5' [dB]	LAeq15' [dB]	LAeq30' [dB]
12/8/2023	12:36:10	0:29:00	44.8	44.8	44.8	44.8
12/8/2023	12:37:10	0:28:00	51.4	49.3	49.3	49.3
12/8/2023	12:38:10	0:27:00	47.4	48.7	48.7	48.7
12/8/2023	12:39:10	0:26:00	47.7	48.5	48.5	48.5
12/8/2023	12:40:10	0:25:00	49.9	48.8	48.8	48.8
12/8/2023	12:41:10	0:24:00	45.6	48.9	48.4	48.4
12/8/2023	12:42:10	0:23:00	47	47.7	48.2	48.2
12/8/2023	12:43:10	0:22:00	55.8	50.9	50.2	50.2
12/8/2023	12:44:10	0:21:00	56.8	53.2	51.7	51.7
12/8/2023	12:45:10	0:20:00	50.8	53.3	51.6	51.6
12/8/2023	12:46:10	0:19:00	51.8	53.7	51.6	51.6
12/8/2023	12:47:10	0:18:00	46.2	53.7	51.3	51.3
12/8/2023	12:48:10	0:17:00	47.7	52.3	51.1	51.1
12/8/2023	12:49:10	0:16:00	48.6	49.5	51	51
12/8/2023	12:50:10	0:15:00	48.8	49	50.9	50.9
12/8/2023	12:51:10	0:14:00	50	48.4	51	50.8
12/8/2023	12:52:10	0:13:00	49.1	48.9	50.9	50.8
12/8/2023	12:53:10	0:12:00	54.8	51	51.5	51.1
12/8/2023	12:54:10	0:11:00	52.6	51.7	51.7	51.2
12/8/2023	12:55:10	0:10:00	49.6	51.8	51.7	51.1
12/8/2023	12:56:10	0:09:00	50.5	51.9	51.8	51.1
12/8/2023	12:57:10	0:08:00	51.8	52.2	52	51.1
12/8/2023	12:58:10	0:07:00	53.6	51.8	51.7	51.3
12/8/2023	12:59:10	0:06:00	55.8	52.8	51.6	51.6
12/8/2023	13:00:10	0:05:00	51.4	53	51.6	51.6
12/8/2023	13:01:10	0:04:00	52.3	53.3	51.6	51.6
12/8/2023	13:02:10	0:03:00	53.5	53.6	52	51.7
12/8/2023	13:03:10	0:02:00	54.4	53.8	52.4	51.8
12/8/2023	13:04:10	0:01:00	50.2	52.6	52.4	51.8
12/8/2023	13:05:10	0:00:00	46	52.1	52.4	51.7

Broadband LOG Results over whole log period

12/8/2023	13:05:10	0:00:00	46	52.1	52.4	51.7
-----------	----------	---------	----	------	------	------

Device Info: XL2, SNo. A2A-10088-E0, FW4.88
 Mic Type: NTi Audio M4260, SNo. 5541, Factory adjusted
 Mic
 Sensitivity: 30.9 mV/Pa
 Time Zone: UTC-08:00 (US/Pacific)

Measurement Setup

Profile: Full mode
 Timer mode: single
 Timer set: 0:30:00
 Log-Interval: 0:01:00
 k1: 0.0 dB
 k2: 0.0 dB
 kset Date: k-Values not measured
 Range: 20 - 120 dB

Time

Start: 2023-12-08, 14:06:58
 End: 2023-12-08, 14:36:58

Broadband LOG Results

Date [YYYY-MM-DD]	Time [hh:mm:ss]	Timer [hh:mm:ss]	LAeq1' [dB]	LAeq5' [dB]	LAeq15' [dB]	LAeq30' [dB]
12/8/2023	14:07:58	0:29:00	58.4	58.4	58.4	58.4
12/8/2023	14:08:58	0:28:00	60.4	59.5	59.5	59.5
12/8/2023	14:09:58	0:27:00	58.6	59.2	59.2	59.2
12/8/2023	14:10:58	0:26:00	58.7	59.1	59.1	59.1
12/8/2023	14:11:58	0:25:00	54.5	58.5	58.5	58.5
12/8/2023	14:12:58	0:24:00	51.7	57.8	57.9	57.9
12/8/2023	14:13:58	0:23:00	52.6	56.2	57.4	57.4
12/8/2023	14:14:58	0:22:00	56.6	55.6	57.3	57.3
12/8/2023	14:15:58	0:21:00	56.2	54.7	57.2	57.2
12/8/2023	14:16:58	0:20:00	57.4	55.4	57.2	57.2
12/8/2023	14:17:58	0:19:00	51	55.4	56.9	56.9
12/8/2023	14:18:58	0:18:00	56.9	56.1	56.9	56.9
12/8/2023	14:19:58	0:17:00	54.2	55.7	56.8	56.8
12/8/2023	14:20:58	0:16:00	54.3	55.3	56.6	56.6
12/8/2023	14:21:58	0:15:00	55	54.7	56.5	56.5
12/8/2023	14:22:58	0:14:00	53	54.9	56.2	56.4
12/8/2023	14:23:58	0:13:00	58.1	55.3	55.9	56.5
12/8/2023	14:24:58	0:12:00	60.1	56.9	56.1	56.8
12/8/2023	14:25:58	0:11:00	56.1	57.1	55.8	56.8
12/8/2023	14:26:58	0:10:00	54.4	57.1	55.8	56.7
12/8/2023	14:27:58	0:09:00	53.3	57.1	55.9	56.6
12/8/2023	14:28:58	0:08:00	59.9	57.6	56.4	56.8
12/8/2023	14:29:58	0:07:00	54	56.3	56.3	56.7
12/8/2023	14:30:58	0:06:00	61.3	57.9	56.9	57
12/8/2023	14:31:58	0:05:00	52.6	57.7	56.7	56.9
12/8/2023	14:32:58	0:04:00	50.9	57.6	56.7	56.8
12/8/2023	14:33:58	0:03:00	53.8	56.3	56.5	56.7
12/8/2023	14:34:58	0:02:00	55	56.4	56.5	56.7
12/8/2023	14:35:58	0:01:00	54.3	53.5	56.5	56.6
12/8/2023	14:36:58	0:00:00	55.6	54.2	56.6	56.6

Broadband LOG Results over whole log period

12/8/2023	14:36:58	0:00:00	55.6	54.2	56.6	56.6
-----------	----------	---------	------	------	------	------

Device Info: XL2, SNo. A2A-10088-E0, FW4.88
 Mic Type: NTi Audio M4260, SNo. 5541, Factory adjusted
 Mic
 Sensitivity: 30.9 mV/Pa
 Time Zone: UTC-08:00 (US/Pacific)

Measurement Setup

Profile: Full mode
 Timer mode: single
 Timer set: 0:30:00
 Log-Interval: 0:01:00
 k1: 0.0 dB
 k2: 0.0 dB
 kset Date: k-Values not measured
 Range: 20 - 120 dB

Time

Start: 2023-12-08, 15:27:50
 End: 2023-12-08, 15:57:50

Broadband LOG Results

Date [YYYY-MM-DD]	Time [hh:mm:ss]	Timer [hh:mm:ss]	LAeq1' [dB]	LAeq5' [dB]	LAeq15' [dB]	LAeq30' [dB]
12/8/2023	15:28:50	0:29:00	49.1	49.1	49.1	49.1
12/8/2023	15:29:50	0:28:00	46	47.8	47.8	47.8
12/8/2023	15:30:50	0:27:00	52.4	49.9	49.9	49.9
12/8/2023	15:31:50	0:26:00	53.2	51	51	51
12/8/2023	15:32:50	0:25:00	56.3	52.7	52.7	52.7
12/8/2023	15:33:50	0:24:00	48.1	52.6	52.2	52.2
12/8/2023	15:34:50	0:23:00	50.3	53	52	52
12/8/2023	15:35:50	0:22:00	49.8	52.6	51.8	51.8
12/8/2023	15:36:50	0:21:00	45.1	51.6	51.4	51.4
12/8/2023	15:37:50	0:20:00	49.7	49	51.2	51.2
12/8/2023	15:38:50	0:19:00	45	48.6	50.9	50.9
12/8/2023	15:39:50	0:18:00	43.2	47.4	50.6	50.6
12/8/2023	15:40:50	0:17:00	48.2	46.9	50.5	50.5
12/8/2023	15:41:50	0:16:00	50.9	48.3	50.5	50.5
12/8/2023	15:42:50	0:15:00	60	53.9	52.3	52.3
12/8/2023	15:43:50	0:14:00	46.3	54	52.3	52.1
12/8/2023	15:44:50	0:13:00	46.4	54	52.3	51.9
12/8/2023	15:45:50	0:12:00	48.7	54.1	52.1	51.8
12/8/2023	15:46:50	0:11:00	48.7	53.9	51.8	51.7
12/8/2023	15:47:50	0:10:00	56.2	51.1	51.8	52.1
12/8/2023	15:48:50	0:09:00	52.8	52	52	52.1
12/8/2023	15:49:50	0:08:00	51.6	52.5	52.1	52.1
12/8/2023	15:50:50	0:07:00	49	52.6	52.1	52
12/8/2023	15:51:50	0:06:00	49.4	52.6	52.2	51.9
12/8/2023	15:52:50	0:05:00	50.1	50.8	52.2	51.8
12/8/2023	15:53:50	0:04:00	49.5	50	52.3	51.8
12/8/2023	15:54:50	0:03:00	49.8	49.6	52.4	51.7
12/8/2023	15:55:50	0:02:00	52.7	50.5	52.6	51.7
12/8/2023	15:56:50	0:01:00	52.4	51.1	52.7	51.8
12/8/2023	15:57:50	0:00:00	55.9	52.7	51.6	52

Broadband LOG Results over whole log period

12/8/2023	15:57:50	0:00:00	55.9	52.7	51.6	52
-----------	----------	---------	------	------	------	----

Device Info: XL2, SNo. A2A-10088-E0, FW4.88
 Mic Type: NTi Audio M4260, SNo. 5541, Factory adjusted
 Mic
 Sensitivity: 30.9 mV/Pa
 Time Zone: UTC-08:00 (US/Pacific)

Measurement Setup

Profile: Full mode
 Timer mode: single
 Timer set: 0:30:00
 Log-Interval: 0:01:00
 k1: 0.0 dB
 k2: 0.0 dB
 kset Date: k-Values not measured
 Range: 20 - 120 dB

Time

Start: 2023-12-08, 17:45:16
 End: 2023-12-08, 18:15:16

Broadband LOG Results

Date [YYYY-MM-DD]	Time [hh:mm:ss]	Timer [hh:mm:ss]	LAeq1' [dB]	LAeq5' [dB]	LAeq15' [dB]	LAeq30' [dB]
12/8/2023	17:46:16	0:29:00	49.2	49.2	49.2	49.2
12/8/2023	17:47:16	0:28:00	48	48.6	48.6	48.6
12/8/2023	17:48:16	0:27:00	52.4	50.3	50.3	50.3
12/8/2023	17:49:16	0:26:00	51.8	50.7	50.7	50.7
12/8/2023	17:50:16	0:25:00	60.8	55.3	55.3	55.3
12/8/2023	17:51:16	0:24:00	49	55.3	54.7	54.7
12/8/2023	17:52:16	0:23:00	49.5	55.3	54.2	54.2
12/8/2023	17:53:16	0:22:00	48.2	55.1	53.8	53.8
12/8/2023	17:54:16	0:21:00	44.5	54.7	53.4	53.4
12/8/2023	17:55:16	0:20:00	51	48.9	53.2	53.2
12/8/2023	17:56:16	0:19:00	48.1	48.7	52.9	52.9
12/8/2023	17:57:16	0:18:00	47.6	48.3	52.6	52.6
12/8/2023	17:58:16	0:17:00	46.8	48.1	52.4	52.4
12/8/2023	17:59:16	0:16:00	46.9	48.4	52.1	52.1
12/8/2023	18:00:16	0:15:00	50.2	48.1	52	52
12/8/2023	18:01:16	0:14:00	52.1	49.2	52.2	52
12/8/2023	18:02:16	0:13:00	51.9	50.1	52.3	52
12/8/2023	18:03:16	0:12:00	51	50.7	52.2	52
12/8/2023	18:04:16	0:11:00	49.9	51.1	52.2	51.9
12/8/2023	18:05:16	0:10:00	46.4	50.7	49.3	51.7
12/8/2023	18:06:16	0:09:00	49	50	49.4	51.6
12/8/2023	18:07:16	0:08:00	49.1	49.3	49.3	51.5
12/8/2023	18:08:16	0:07:00	48	48.6	49.3	51.4
12/8/2023	18:09:16	0:06:00	50.8	48.9	49.6	51.4
12/8/2023	18:10:16	0:05:00	46.4	48.9	49.4	51.3
12/8/2023	18:11:16	0:04:00	48.7	48.8	49.4	51.2
12/8/2023	18:12:16	0:03:00	51.3	49.4	49.6	51.2
12/8/2023	18:13:16	0:02:00	48.3	49.4	49.7	51.1
12/8/2023	18:14:16	0:01:00	47.5	48.8	49.7	51.1
12/8/2023	18:15:16	0:00:00	56.8	52.1	50.8	51.4

Broadband LOG Results over whole log period

12/8/2023	18:15:16	0:00:00	56.8	52.1	50.8	51.4
-----------	----------	---------	------	------	------	------

Device Info: XL2, SNo. A2A-10088-E0, FW4.88
 Mic Type: NTi Audio M4260, SNo. 5541, Factory adjusted
 Mic
 Sensitivity: 30.9 mV/Pa
 Time Zone: UTC-08:00 (US/Pacific)

Measurement Setup

Profile: Full mode
 Timer mode: single
 Timer set: 0:30:00
 Log-Interval: 0:01:00
 k1: 0.0 dB
 k2: 0.0 dB
 kset Date: k-Values not measured
 Range: 20 - 120 dB

Time

Start: 2023-12-08, 19:15:58
 End: 2023-12-08, 19:45:58

Broadband LOG Results

Date [YYYY-MM-DD]	Time [hh:mm:ss]	Timer [hh:mm:ss]	LAeq1' [dB]	LAeq5' [dB]	LAeq15' [dB]	LAeq30' [dB]
12/8/2023	19:16:58	0:29:00	46.3	46.3	46.3	46.3
12/8/2023	19:17:58	0:28:00	48.4	47.5	47.5	47.5
12/8/2023	19:18:58	0:27:00	49.9	48.5	48.5	48.5
12/8/2023	19:19:58	0:26:00	55.2	51.3	51.3	51.3
12/8/2023	19:20:58	0:25:00	54.3	52.1	52.1	52.1
12/8/2023	19:21:58	0:24:00	50.6	52.5	51.9	51.9
12/8/2023	19:22:58	0:23:00	50	52.6	51.6	51.6
12/8/2023	19:23:58	0:22:00	45.5	52.3	51.2	51.2
12/8/2023	19:24:58	0:21:00	48	50.7	51	51
12/8/2023	19:25:58	0:20:00	54.8	50.9	51.5	51.5
12/8/2023	19:26:58	0:19:00	48.9	50.6	51.3	51.3
12/8/2023	19:27:58	0:18:00	52.8	51.3	51.5	51.5
12/8/2023	19:28:58	0:17:00	44.3	51.2	51.2	51.2
12/8/2023	19:29:58	0:16:00	44.6	51	51	51
12/8/2023	19:30:58	0:15:00	46.3	48.7	50.8	50.8
12/8/2023	19:31:58	0:14:00	57.9	52.6	52	51.8
12/8/2023	19:32:58	0:13:00	57	53.9	52.7	52.3
12/8/2023	19:33:58	0:12:00	44.9	53.9	52.6	52.1
12/8/2023	19:34:58	0:11:00	50.1	54.1	52.2	52
12/8/2023	19:35:58	0:10:00	53	54.6	52.1	52.1
12/8/2023	19:36:58	0:09:00	53.2	53.2	52.3	52.1
12/8/2023	19:37:58	0:08:00	58.7	54.1	53.2	52.8
12/8/2023	19:38:58	0:07:00	54.7	54.9	53.6	52.9
12/8/2023	19:39:58	0:06:00	50.3	54.9	53.6	52.8
12/8/2023	19:40:58	0:05:00	48.7	54.5	53.3	52.7
12/8/2023	19:41:58	0:04:00	51.2	54.3	53.4	52.7
12/8/2023	19:42:58	0:03:00	51.7	51.8	53.4	52.6
12/8/2023	19:43:58	0:02:00	51.6	50.9	53.5	52.6
12/8/2023	19:44:58	0:01:00	48.6	50.6	53.6	52.5
12/8/2023	19:45:58	0:00:00	52.6	51.3	53.7	52.5

Broadband LOG Results over whole log period

12/8/2023	19:45:58	0:00:00	52.6	51.3	53.7	52.5
-----------	----------	---------	------	------	------	------

Device Info: XL2, SNo. A2A-10088-E0, FW4.88
 Mic Type: NTi Audio M4260, SNo. 5541, Factory adjusted
 Mic
 Sensitivity: 30.9 mV/Pa
 Time Zone: UTC-08:00 (US/Pacific)

Measurement Setup

Profile: Full mode
 Timer mode: single
 Timer set: 0:30:00
 Log-Interval: 0:01:00
 k1: 0.0 dB
 k2: 0.0 dB
 kset Date: k-Values not measured
 Range: 20 - 120 dB

Time

Start: 2023-12-09, 07:43:24
 End: 2023-12-09, 08:13:24

Broadband LOG Results

Date [YYYY-MM-DD]	Time [hh:mm:ss]	Timer [hh:mm:ss]	LAeq1' [dB]	LAeq5' [dB]	LAeq15' [dB]	LAeq30' [dB]
12/9/2023	7:44:24	0:29:00	46.1	46.1	46.1	46.1
12/9/2023	7:45:24	0:28:00	48.2	47.3	47.3	47.3
12/9/2023	7:46:24	0:27:00	46.7	47.1	47.1	47.1
12/9/2023	7:47:24	0:26:00	49.7	47.9	47.9	47.9
12/9/2023	7:48:24	0:25:00	45.4	47.5	47.5	47.5
12/9/2023	7:49:24	0:24:00	47.6	47.8	47.5	47.5
12/9/2023	7:50:24	0:23:00	49.2	48	47.8	47.8
12/9/2023	7:51:24	0:22:00	49.9	48.6	48.1	48.1
12/9/2023	7:52:24	0:21:00	48.8	48.4	48.2	48.2
12/9/2023	7:53:24	0:20:00	52.3	49.8	48.8	48.8
12/9/2023	7:54:24	0:19:00	49.8	50.2	48.9	48.9
12/9/2023	7:55:24	0:18:00	51	50.5	49.1	49.1
12/9/2023	7:56:24	0:17:00	48.9	50.4	49.1	49.1
12/9/2023	7:57:24	0:16:00	50.5	50.7	49.2	49.2
12/9/2023	7:58:24	0:15:00	53.4	51	49.7	49.7
12/9/2023	7:59:24	0:14:00	48.9	50.9	49.8	49.6
12/9/2023	8:00:24	0:13:00	48.9	50.5	49.8	49.6
12/9/2023	8:01:24	0:12:00	48.7	50.5	49.9	49.5
12/9/2023	8:02:24	0:11:00	49.8	50.4	49.9	49.6
12/9/2023	8:03:24	0:10:00	48.3	49	50	49.5
12/9/2023	8:04:24	0:09:00	47.4	48.7	50	49.4
12/9/2023	8:05:24	0:08:00	46.5	48.3	49.9	49.3
12/9/2023	8:06:24	0:07:00	55.5	50.9	50.6	49.9
12/9/2023	8:07:24	0:06:00	50.5	51	50.7	49.9
12/9/2023	8:08:24	0:05:00	46.8	50.9	50.4	49.8
12/9/2023	8:09:24	0:04:00	47.9	50.9	50.3	49.8
12/9/2023	8:10:24	0:03:00	46.9	51	50.1	49.7
12/9/2023	8:11:24	0:02:00	47.4	48.1	50	49.6
12/9/2023	8:12:24	0:01:00	50.1	48	50	49.6
12/9/2023	8:13:24	0:00:00	47.8	48.2	49.5	49.6

Broadband LOG Results over whole log period

12/9/2023	8:13:24	0:00:00	47.8	48.2	49.5	49.6
-----------	---------	---------	------	------	------	------

Device Info: XL2, SNo. A2A-10088-E0, FW4.88
 Mic Type: NTi Audio M4260, SNo. 5541, Factory adjusted
 Mic
 Sensitivity: 30.9 mV/Pa
 Time Zone: UTC-08:00 (US/Pacific)

Measurement Setup

Profile: Full mode
 Timer mode: single
 Timer set: 0:30:00
 Log-Interval: 0:01:00
 k1: 0.0 dB
 k2: 0.0 dB
 kset Date: k-Values not measured
 Range: 20 - 120 dB

Time

Start: 2023-12-09, 10:02:18
 End: 2023-12-09, 10:32:18

Broadband LOG Results

Date [YYYY-MM-DD]	Time [hh:mm:ss]	Timer [hh:mm:ss]	LAeq1' [dB]	LAeq5' [dB]	LAeq15' [dB]	LAeq30' [dB]
12/9/2023	10:03:18	0:29:00	47.2	47.2	47.2	47.2
12/9/2023	10:04:18	0:28:00	47.6	47.4	47.4	47.4
12/9/2023	10:05:18	0:27:00	49.2	48.1	48.1	48.1
12/9/2023	10:06:18	0:26:00	49.3	48.4	48.4	48.4
12/9/2023	10:07:18	0:25:00	47.2	48.2	48.2	48.2
12/9/2023	10:08:18	0:24:00	45.3	47.9	47.8	47.8
12/9/2023	10:09:18	0:23:00	44.4	47.5	47.5	47.5
12/9/2023	10:10:18	0:22:00	46.6	46.9	47.4	47.4
12/9/2023	10:11:18	0:21:00	44.1	45.7	47.1	47.1
12/9/2023	10:12:18	0:20:00	46.6	45.5	47.1	47.1
12/9/2023	10:13:18	0:19:00	48.4	46.3	47.2	47.2
12/9/2023	10:14:18	0:18:00	47.1	46.8	47.2	47.2
12/9/2023	10:15:18	0:17:00	49.8	47.6	47.5	47.5
12/9/2023	10:16:18	0:16:00	42.5	47.5	47.3	47.3
12/9/2023	10:17:18	0:15:00	49.4	48.1	47.4	47.4
12/9/2023	10:18:18	0:14:00	48.6	48.1	47.5	47.5
12/9/2023	10:19:18	0:13:00	45.2	47.9	47.4	47.4
12/9/2023	10:20:18	0:12:00	46.8	47.1	47.2	47.4
12/9/2023	10:21:18	0:11:00	50.7	48.5	47.4	47.6
12/9/2023	10:22:18	0:10:00	50	48.7	47.6	47.8
12/9/2023	10:23:18	0:09:00	48.2	48.6	47.8	47.8
12/9/2023	10:24:18	0:08:00	50.1	49.4	48.1	47.9
12/9/2023	10:25:18	0:07:00	46	49.3	48.1	47.9
12/9/2023	10:26:18	0:06:00	45.9	48.4	48.2	47.8
12/9/2023	10:27:18	0:05:00	46.4	47.6	48.2	47.8
12/9/2023	10:28:18	0:04:00	44.8	47.1	48	47.7
12/9/2023	10:29:18	0:03:00	43.5	45.4	47.8	47.6
12/9/2023	10:30:18	0:02:00	40.6	44.6	47.4	47.4
12/9/2023	10:31:18	0:01:00	42.9	44	47.4	47.3
12/9/2023	10:32:18	0:00:00	46.3	44	47.2	47.3

Broadband LOG Results over whole log period

12/9/2023	10:32:18	0:00:00	46.3	44	47.2	47.3
-----------	----------	---------	------	----	------	------

Device Info: XL2, SNo. A2A-10088-E0, FW4.88
 Mic Type: NTi Audio M4260, SNo. 5541, Factory adjusted
 Mic
 Sensitivity: 30.9 mV/Pa
 Time Zone: UTC-08:00 (US/Pacific)

Measurement Setup

Profile: Full mode
 Timer mode: single
 Timer set: 0:30:00
 Log-Interval: 0:01:00
 k1: 0.0 dB
 k2: 0.0 dB
 kset Date: k-Values not measured
 Range: 20 - 120 dB

Time

Start: 2023-12-09, 12:05:04
 End: 2023-12-09, 12:35:04

Broadband LOG Results

Date [YYYY-MM-DD]	Time [hh:mm:ss]	Timer [hh:mm:ss]	LAeq1' [dB]	LAeq5' [dB]	LAeq15' [dB]	LAeq30' [dB]
12/9/2023	12:06:04	0:29:00	50.2	50.2	50.2	50.2
12/9/2023	12:07:04	0:28:00	49.9	50	50	50
12/9/2023	12:08:04	0:27:00	49.9	50	50	50
12/9/2023	12:09:04	0:26:00	48.7	49.7	49.7	49.7
12/9/2023	12:10:04	0:25:00	58.9	53.6	53.6	53.6
12/9/2023	12:11:04	0:24:00	46.6	53.4	53	53
12/9/2023	12:12:04	0:23:00	47.7	53.2	52.5	52.5
12/9/2023	12:13:04	0:22:00	51.8	53.4	52.4	52.4
12/9/2023	12:14:04	0:21:00	51.1	53.6	52.3	52.3
12/9/2023	12:15:04	0:20:00	47.6	49.4	52	52
12/9/2023	12:16:04	0:19:00	50.6	50.1	51.9	51.9
12/9/2023	12:17:04	0:18:00	52.7	51	52	52
12/9/2023	12:18:04	0:17:00	49	50.5	51.8	51.8
12/9/2023	12:19:04	0:16:00	48.6	50.1	51.6	51.6
12/9/2023	12:20:04	0:15:00	49.3	50.3	51.5	51.5
12/9/2023	12:21:04	0:14:00	50.1	50.2	51.5	51.4
12/9/2023	12:22:04	0:13:00	50	49.4	51.5	51.4
12/9/2023	12:23:04	0:12:00	51.4	50	51.6	51.4
12/9/2023	12:24:04	0:11:00	51.9	50.7	51.7	51.4
12/9/2023	12:25:04	0:10:00	48.7	50.6	50.1	51.3
12/9/2023	12:26:04	0:09:00	51	50.7	50.3	51.3
12/9/2023	12:27:04	0:08:00	50.7	50.9	50.5	51.2
12/9/2023	12:28:04	0:07:00	49.2	50.4	50.3	51.2
12/9/2023	12:29:04	0:06:00	53.7	51	50.6	51.3
12/9/2023	12:30:04	0:05:00	46.2	50.8	50.6	51.2
12/9/2023	12:31:04	0:04:00	49.1	50.5	50.5	51.1
12/9/2023	12:32:04	0:03:00	52.8	51	50.5	51.2
12/9/2023	12:33:04	0:02:00	48.1	50.9	50.5	51.1
12/9/2023	12:34:04	0:01:00	52.1	50.3	50.7	51.2
12/9/2023	12:35:04	0:00:00	48	50.5	50.6	51.1

Broadband LOG Results over whole log period

12/9/2023	12:35:04	0:00:00	48	50.5	50.6	51.1
-----------	----------	---------	----	------	------	------

Hardware Configuration

Device Info: XL2, SNo. A2A-10088-E0, FW4.88
Mic Type: NTi Audio M4260, SNo. 5541, Factory adjusted
30.9
Mic Sensitivity: mV/Pa
Time Zone: UTC-08:00 (US/Pacific)

Measurement Setup

Profile: Full mode
Timer mode: single
Timer set: 0:30:00
Log-Interval: 0:01:00
k1: 0.0 dB
k2: 0.0 dB
kset Date: k-Values not measured
Range: 20 - 120 dB

#

Time

Start: 2023-12-09, 13:59:38
End: 2023-12-09, 14:29:38

Broadband LOG Results

Date [YYYY-MM-DD]	Time [hh:mm:ss]	Timer [hh:mm:ss]	LAeq1' [dB]	LAeq5' [dB]	LAeq15' [dB]	LAeq30' [dB]
12/9/2023	14:00:38	0:29:00	49.9	49.9	49.9	49.9
12/9/2023	14:01:38	0:28:00	49.2	49.6	49.6	49.6
12/9/2023	14:02:38	0:27:00	46.1	48.7	48.7	48.7
12/9/2023	14:03:38	0:26:00	45.4	48.1	48.1	48.1
12/9/2023	14:04:38	0:25:00	51.2	48.9	48.9	48.9
12/9/2023	14:05:38	0:24:00	52.9	49.9	49.9	49.9
12/9/2023	14:06:38	0:23:00	49.8	50	49.9	49.9
12/9/2023	14:07:38	0:22:00	49.2	50.3	49.8	49.8
12/9/2023	14:08:38	0:21:00	49.7	50.8	49.8	49.8
12/9/2023	14:09:38	0:20:00	47.6	50.2	49.6	49.6
12/9/2023	14:10:38	0:19:00	49.2	49.2	49.6	49.6
12/9/2023	14:11:38	0:18:00	48.6	48.9	49.5	49.5
12/9/2023	14:12:38	0:17:00	45.9	48.4	49.3	49.3
12/9/2023	14:13:38	0:16:00	49.5	48.4	49.3	49.3
12/9/2023	14:14:38	0:15:00	45.9	48.1	49.2	49.2
12/9/2023	14:15:38	0:14:00	51.1	48.7	49.3	49.3
12/9/2023	14:16:38	0:13:00	48.8	48.7	49.2	49.3
12/9/2023	14:17:38	0:12:00	49.6	49.3	49.4	49.3
12/9/2023	14:18:38	0:11:00	50.5	49.5	49.7	49.4
12/9/2023	14:19:38	0:10:00	47.4	49.7	49.4	49.3
12/9/2023	14:20:38	0:09:00	47.2	48.9	48.9	49.2
12/9/2023	14:21:38	0:08:00	48.5	48.8	48.8	49.2
12/9/2023	14:22:38	0:07:00	50.2	49	48.9	49.2
12/9/2023	14:23:38	0:06:00	50.6	49	49	49.3
12/9/2023	14:24:38	0:05:00	51.1	49.8	49.2	49.4
12/9/2023	14:25:38	0:04:00	48.5	49.9	49.2	49.4
12/9/2023	14:26:38	0:03:00	48.7	50	49.2	49.3
12/9/2023	14:27:38	0:02:00	48.4	49.6	49.3	49.3
12/9/2023	14:28:38	0:01:00	53.1	50.4	49.7	49.5
12/9/2023	14:29:38	0:00:00	55.8	52	50.6	50

Broadband LOG Results over whole log period

12/9/2023 14:29:38 0:00:00 55.8 52 50.6 50

END OF DATA

APPENDIX B
ACOUSTIC BOILERPLATE

Brief background and qualifications of Sound Media Fusion, LLC.:

Located in Van Nuys, California.

Facility includes:

1. Acoustic development and testing laboratory.
2. Electronic design development and testing laboratory.
3. Feature film motion picture augmented reality sound stage.
4. Acoustic and electronic simulation software systems of various kinds (NoisePlan, EASE, etc.).

SMF and its different generations, all founded by Gary Hardesty, have provided numerous services in the areas of acoustics, noise mitigation/monitoring, intellectual property creation and management (patents) and electronics, internationally, for more than 50 years.

We have provided the services of acoustic design, noise mitigation/monitoring, sound design and technical management for some of the largest events in the world, including:

-Olympic Opening and Closing Ceremonies and sports venues since the Los Angeles 1984 Olympics.

- Venue acoustic and sound system designs.
- Noise mitigation and monitoring design and management.
- Work includes all competition venues as well as Opening and Closing Ceremony.

-Continuous acoustic and mitigation work for the Vatican, including the large World Youth Day global events (the Toronto event featured a main site for the mass, which had more than 1.4 million people in attendance).

-24 years' work with the NFL on the Superbowl game, including acoustics, noise mitigation, sound design and management for the halftime shows.

-Academy Awards.

-Grammy Awards.

We have provided services for the Cities of Costa Mesa and Newport Beach, along with services for entities within those cities, including:

-20 years of acoustic design, noise monitoring/mitigation and technical management for the OC Fair, including reopening of Pacific Amphitheatre in 2003. In 2014, we redesigned the acoustics in Pac Amp, giving the Fair another 3.5 acres of usable land, while improving in-venue acoustics and out of venue noise mitigation- a \$15 million project, also acting as project manager.

-Newport Dunes noise monitoring/mitigation and acoustic designs.

-Newport Beach pickleball courts acoustic designs and noise monitoring/mitigation.

-Balboa Bay Club noise mitigation.

-Various Costa Mesa venues.

-Acoustic design and noise mitigation/monitoring for large festivals in San Diego's Waterfront Park.

-Acoustic and sound system design for many international performing arts theaters, amphitheaters, and stadiums.

-Acoustic design for many large international theme parks, including Ocean Kingdom in China and EuroDisney in Paris.

A recent patent award was for a highly sophisticated type of high-power loudspeaker system (used for all Tokyo Olympic venues, including Opening and Closing Ceremony, as well as many fixed installations in theaters and stadiums in Japan, Korea, and Europe (licensed to one of our clients- Panasonic):



(12) **United States Patent**
Hardesty

(10) **Patent No.:** **US 10,070,217 B2**
(45) **Date of Patent:** **Sep. 4, 2018**

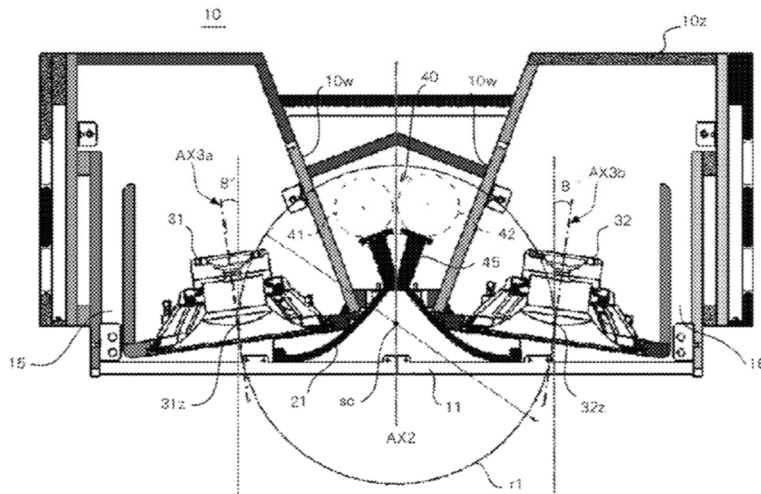
- (54) **SPEAKER APPARATUS**
- (71) Applicant: **PANASONIC INTELLECTUAL PROPERTY MANAGEMENT CO., LTD.**, Osaka (JP)
- (72) Inventor: **Gary Allen Hardesty**, Northridge, CA (US)
- (73) Assignee: **PANASONIC INTELLECTUAL PROPERTY MANAGEMENT CO., LTD.**, Osaka (JP)
- (*) Notice: Subject to any disclaimer, the term of this patent is extended or adjusted under 35 U.S.C. 154(b) by 0 days.
- (21) Appl. No.: **15/439,392**
- (22) Filed: **Feb. 22, 2017**
- (65) **Prior Publication Data**
US 2018/0227663 A1 Aug. 9, 2018
- (30) **Foreign Application Priority Data**
Feb. 3, 2017 (JP) 2017-019026
- (51) **Int. Cl.**
H04R 1/02 (2006.01)
H04R 1/40 (2006.01)
H04R 3/14 (2006.01)
- (52) **U.S. Cl.**
CPC *H04R 1/403* (2013.01); *H04R 3/14* (2013.01); *H04R 1/023* (2013.01)

- (58) **Field of Classification Search**
CPC H04R 1/30; H04R 1/345; H04R 1/2861; G10K 11/02; G10K 11/025; G10K 9/00
USPC 181/152, 159, 177, 187; 381/339, 340
See application file for complete search history.
- (56) **References Cited**
U.S. PATENT DOCUMENTS
6,394,223 B1 * 5/2002 Lehman H04R 1/345
181/152
6,557,664 B1 * 5/2003 Andrews H04R 1/30
181/152
2004/0005069 A1 * 1/2004 Buck H04R 1/30
381/336

* cited by examiner
Primary Examiner — Sunita Joshi
 (74) *Attorney, Agent, or Firm* — Greenblum & Bernstein, P.L.C.

(57) **ABSTRACT**
 A speaker apparatus includes first acoustic drivers that respectively output first acoustic signals, and an acoustic coupler having acoustic passages. The acoustic passages respectively include inlets, and an outlet of the acoustic passages is common. The first acoustic signals output from the first acoustic drivers are respectively inlet into the inlets, the first acoustic signals inlet into the inlets are guided to the common outlet, the first acoustic signals are combined at the common outlet to generate a second acoustic signal, and the second acoustic signal is output. Lengths of the acoustic passages from the inlets to the common outlet are identical to each other.

4 Claims, 24 Drawing Sheets
(3 of 24 Drawing Sheet(s) Filed in Color)



Loudspeaker acoustic design and development for several large international clients (JBL, Yamaha, Panasonic).

SMF/Gary Hardesty past/present clients include (examples):

Panasonic, US Army, The Scenic Route, Inc., OC Fair, City of Newport Beach, City of Costa Mesa, Newport Dunes, F1 Racing, Palmer Audio, Lucasfilm, Meyer Sound, Eastern Acoustic Works, JBL Professional, Yamaha Corporation, US Olympic committee, Ocean Kingdom Theme Park-China, EuroDisney-Paris, NFL Superbowl, Wheel of Fortune, Academy of Country Music Awards, Grammy Awards, Academy Awards, Vatican, Mexico 2010 Bicentennial Committee, World Cup Soccer, Hult Center for the Performing Arts, Asian Games- Korea- Thailand, China, Main Stadium-Japan.

More than 200 large venues/stadiums globally, including: Japan, Korea, Greece, China, Russia, USA, Italy, Germany.

While it is beyond the scope of this proposal to detail all the various acoustic parameters that makeup noise, noise monitoring and mitigation, it is important to highlight some of the theory, for the ideas as proposed in this study to make sense.

Some theory:

From a physics perspective, sound is nothing more than small pressure changes traveling through:

*Any elastic medium. These pressure variances propagate in all directions from- Anything that vibrates mechanically in or on that medium or even just contacting that medium-- things like vocal cords, guitar strings, saxophone reeds, or loudspeakers.

The word 'medium' -means any molecular substance that contacts the vibrating source.

It could be almost anything-- air is the most common example; but water could be an example too. Even the wood that contacts a violin string is an example.

*An elastic medium is one in which the molecules can be displaced slightly but where they tend to spring back to their original or rest position.

In a gas like air, molecules can be compressed (pushed closer together) and rarefied (pulled further apart) but they will always spring back to normal pressure. Water, steel, and wood also have a springiness that makes them good conductors of sound waves.

*The pressure changes don't have to be very big to be perceived as sound.

In a typical conversation at 1 meter, the difference between highest compression to lowest is only 00.0001%, one ten thousandth of a percent.

In sound, waves of compression are always followed by mirror image waves of rarefaction (decompression) so that overall, the pressure remains normal.

Remember that in sound it's not the air molecules that travel from the source to your ear but rather the waves of compression and rarefaction of those molecules.

Finally, sound waves are:

*Mechanical energy-- an actual physical disturbance.

They are not like radio waves or light waves. These are electromagnetic energy.

How fast does sound travel? Sound waves travel at approximately 1128 feet per second in air that is 68 degrees Fahrenheit.

In sustained sounds, molecular displacement is usually repetitive and it often occurs with high regularity. That means it repeats the same way at very evenly spaced time intervals-- say every thousandth of a second.

This regularity is called periodic vibration. When vibrations repeat like this, the sound they produce has an identifiable pitch-- a musical tone.

If there is no regularity, then the vibration is aperiodic and produces noise. The physical vibrations that make sound can be nearly any frequency.

Experiments have shown that sound at 10 billion cycles per second is possible.

However, human ears respond to only a relatively small range of between 20 cycles per second and 20,000 cycles per second.

Even this range is significantly shortened by age and other conditions.

Within this range of 20 to 20,000 cycles per second (cps) humans are most sensitive to the frequencies between 1,000 and 5,000 cycles per second.

Cycles per second are now more commonly referred to as Hertz. So, what was 1,000 cps, is now referred to as 1,000 Hertz (or 1 KHz- 'K' meaning 1,000).

There are four important attributes that we can manipulate to create or describe any sound.

And, we can work with these attributes in two different ways: we can measure them and we can hear them.

If we measure them, they're called physical attributes: if we hear them, they're called perceptual attributes.

The four physical attributes are frequency, amplitude, waveform, and duration. Their perceptual counterparts are pitch, loudness, timbre, and time.

There is similarity between hearing and measuring these attributes; however, it is a complex correlation. The two are not exactly parallel.

Frequency refers to how often the vibration repeats a complete cycle from rest position through compression through rarefaction and back to rest position.

This is usually stated in cycles per second (cps) or in Hertz (Hz) after the 19th century physicist Heinrich Hertz. Cps and Hz are the same measurement.

Pitch refers to our perception of frequency on a continuum from low to high.

Amplitude refers to how much energy is contained in the displacement of molecules that make up sound waves.

It is usually measured in decibels.

Decibels is a logarithmic scale in which each ten-number increase represents a tenfold increase in energy.

On this scale a 10 decibel increase equals 10 times the energy, but a 20-decibel increase = 100 times the energy and a 30-decibel increase = 1000 times the energy; etc.- logarithmic scaling.

We need this logarithmic scale because the loudest sound humans can hear is about 1 trillion times as powerful as the softest.

Each doubling of sound energy can be represented by a 3-decibel change. Loudness refers to our perception of amplitude and is sometimes stated in phons.

The least amount of amplitude humans can perceive as sound, starts the decibel scale at 0 dB.

This is about a trillionth of a watt per square meter.

TABLE 22-1
Units of sound intensity. Sound intensity is expressed as power per unit area (such as watts/cm²), or more commonly on a logarithmic scale called *decibels SPL*. As this table shows, human hearing is the most sensitive between 1 kHz and 4 kHz.

	Watts/cm ²	Decibels SPL	Example sound
	10 ⁻²	140 dB	Pain
	10 ⁻³	130 dB	
	10 ⁻⁴	120 dB	Discomfort
	10 ⁻⁵	110 dB	Jack hammers and rock concerts
	10 ⁻⁶	100 dB	
	10 ⁻⁷	90 dB	OSHA limit for industrial noise
	10 ⁻⁸	80 dB	
	10 ⁻⁹	70 dB	
	10 ⁻¹⁰	60 dB	Normal conversation
	10 ⁻¹¹	50 dB	
	10 ⁻¹²	40 dB	Weakest audible at 100 hertz
	10 ⁻¹³	30 dB	
	10 ⁻¹⁴	20 dB	Weakest audible at 10kHz
	10 ⁻¹⁵	10 dB	
	10 ⁻¹⁶	0 dB	Weakest audible at 3 kHz
	10 ⁻¹⁷	-10 dB	
	10 ⁻¹⁸	-20 dB	

We measure sound with a device called an ‘SPL meter’.

Sound pressure level meters (SPL meters) incorporate ‘weighting filters’, which reduce the contribution of low and high frequencies to produce a reading that corresponds approximately to what we hear (‘curves’).

‘A weighting’, though originally intended only for the measurement of low-level sounds is now commonly used for the measurement of environmental noise and industrial noise, as well as when assessing potential hearing damage and other noise health effects at all sound levels; indeed, the use of A-frequency-weighting is now mandated for all these measurements.

History of A-weighting:

A-weighting began with work by Fletcher and Munson which resulted in their publication, in 1933, of a set of equal-loudness contours. Three years later these curves were used in the first American standard for sound level meters.

B-, C-, D- and Z-weightings:

A-frequency-weighting is mandated to be fitted to all sound level meters. The old B- and D-frequency-weightings have fallen into disuse, but many sound level meters provide for C frequency-weighting and its fitting is mandated — at least for testing purposes — to precision (Class one) sound level meters.

Sound Media Fusion uses a special laboratory calibrated meter made in Europe for our testing.

The meter can simultaneously show Z (flat frequency spectrum) measurements, as well as 'A', peak, LEQ, etc.

The meters also record the actual audio during a test, as well as all the raw data for later analysis.

We can hear what the sound was that was affecting a meter reading at a particular point in time.

While the A-weighting curve, as discussed previously, has been widely adopted for environmental noise measurement, and is standard in many sound level meters, it does not really give valid results for noise because of the way in which the human ear analyzes sound.

The distance of the measuring microphone from a sound source is often omitted when SPL measurements are quoted.

In the case of ambient environmental measurements of "background" noise, distance need not be quoted as no single source is present.

SPL meters are not smart- they present all the sound (noise) picked up by the meter at the meter's location, as a single SPL, or dB 'number'- be it traffic noise, whatever- it is all picked up and displayed as a number, representing the local environmental noise condition.

This local reading presents uncorrelated information, IE: it is not smart information, much as the human ears and brain- we can correlate and discriminate, a SPL meter cannot. The information obtained is ALL the local environment noise.

A trained human must make the measurements, as only this person can understand exactly what is taking place and how to solve it, as well as determine compliance, within the din of all the local background noise that may be present- another reason we record the actual audio, as well as the raw data- for later analysis.

Compliance monitoring is a very difficult science and requires sophisticated equipment and even more sophisticated operators, especially when the compliance monitoring involves noise buried in the overall ambient and local environmental noise.

The type of noise meter we use is called an ‘integrating meter’. It can simultaneously record the actual audio taking place, as well as record and calculate the decibel reading- taking more than 16 samples every second.

As an example of our success, for 20 years we have provided noise monitoring and mitigation, acoustic design, sound system design, and video design services for the OC Fair and Events Center and Pacific Amphitheater in Costa Mesa.

The Costa Mesa Noise Ordinance, in brief:

**TABLE N-2
CITY NOISE ORDINANCE STANDARDS-
RESIDENTIAL**

Exterior Noise Standards	Interior Noise Standards
55dBA-7:00 a.m. to 11:00 p.m.	55dBA-7:00 a.m. to 11:00 p.m.
50dBA-11:00 p.m. to 7:00 a.m.	45dBA-11:00 p.m. to 7:00 a.m.
NOTE: These represent the basic standards applicable for time periods exceeding 15 minutes each hour. Higher levels may be generated for specified shorter time periods.	

The Noise Ordinance prohibits stationary noise sources to exceed the following:

- ◆ The noise standard for a cumulative period of more than 30 minutes in any hour;
- ◆ The noise standard plus 5 dBA for a cumulative period of more than 15 minutes in any hour;
- ◆ The noise standard plus 10 dBA for a cumulative period of more than 5 minutes in any hour;
- ◆ The noise standard plus 15 dBA for a cumulative period of more than one minute in any hour; or
- ◆ The noise standard plus 20 dBA for any period of time.

END OF REPORT